



**IPC Integrated Professional Cleaning**

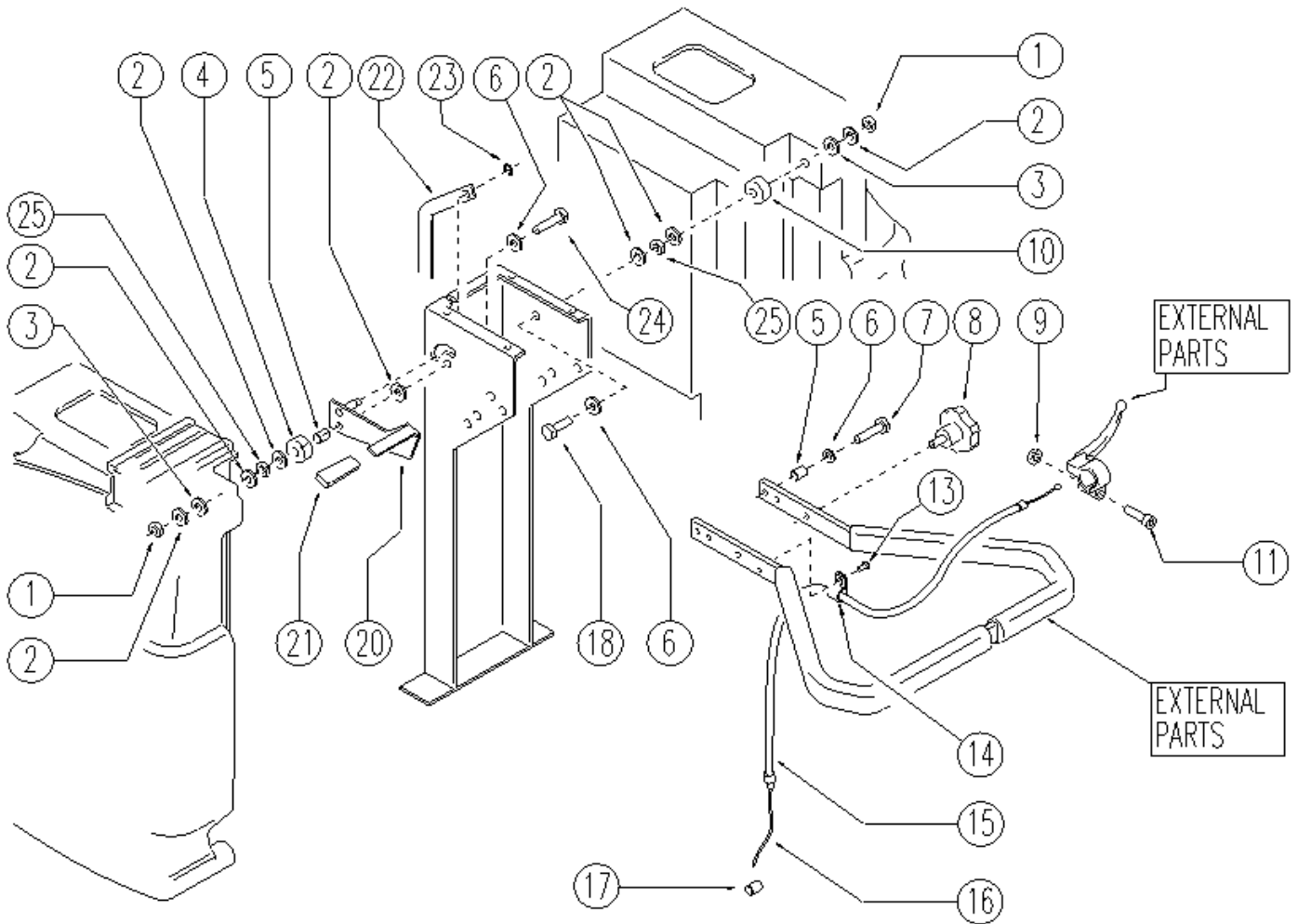
**IPC Gansow**

## **Spare Parts List**

**IPC . EAGLE**

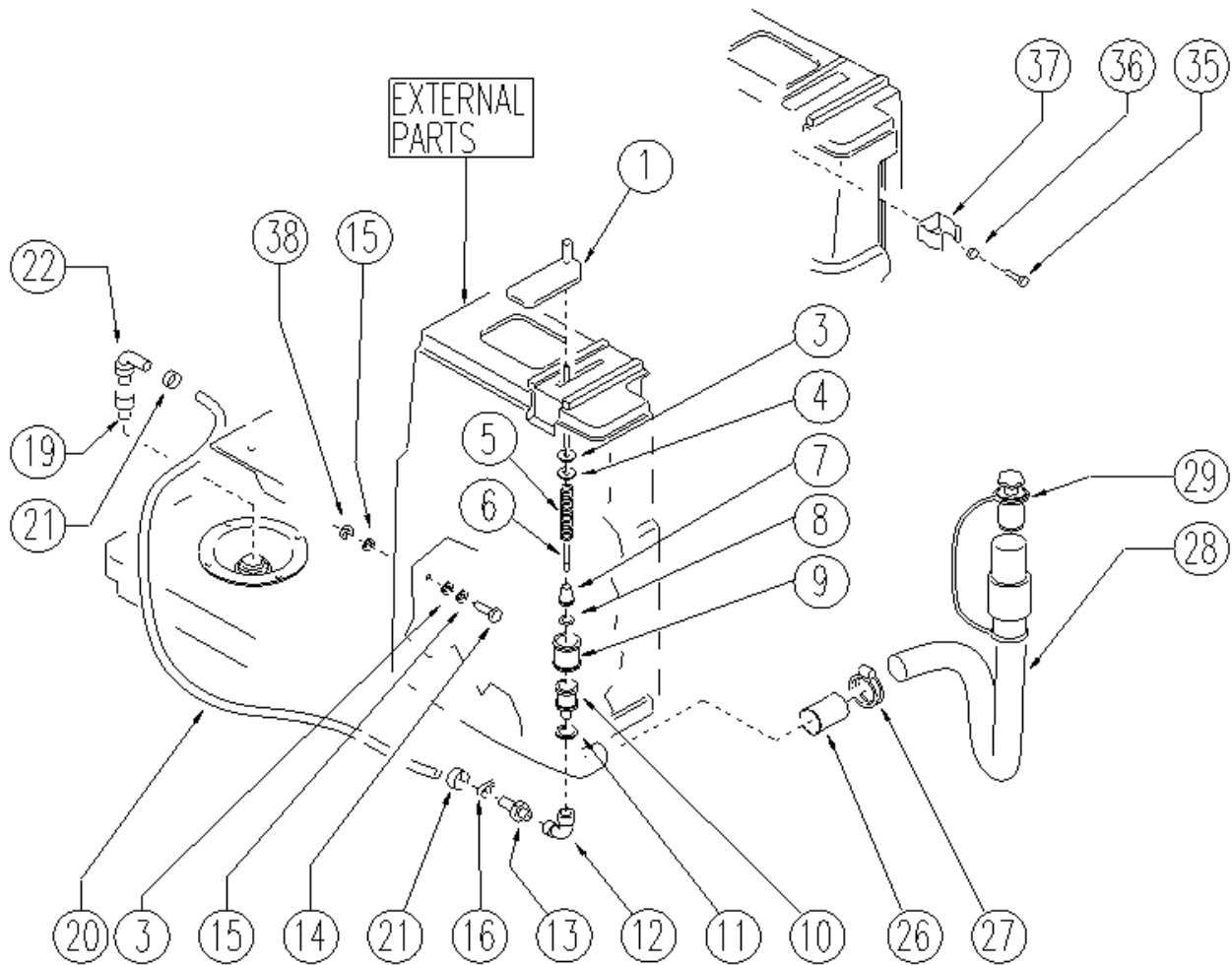
**Ref: LPTB02015**

**Model: LAVAPAVIMENTI F36B**

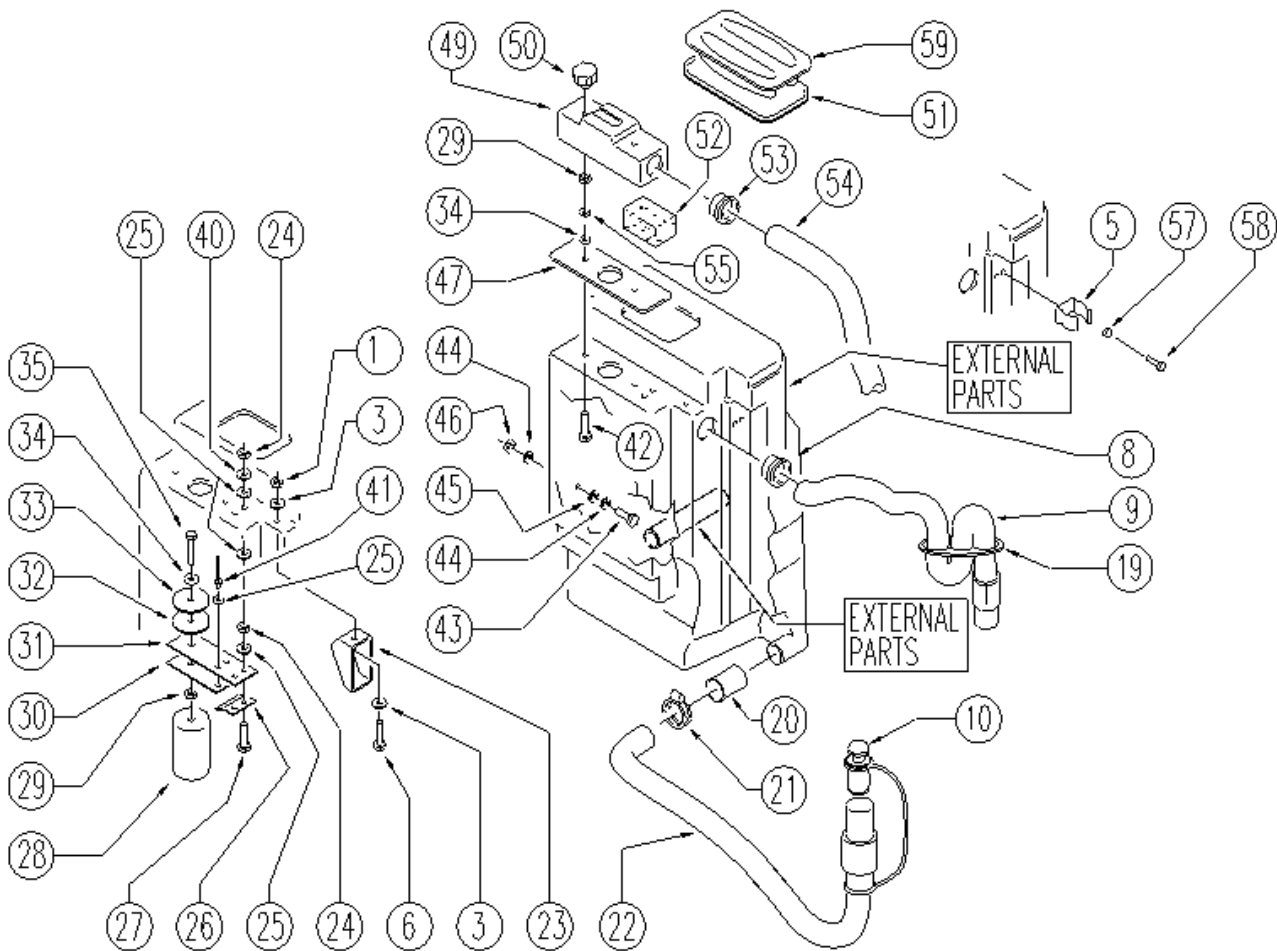


Ref. K	Part N.	Customer Part N.	Description	Qty	Validity: From	To	Price
0001	VTDD01695		NUT M 8 INX	2,00	06/2005		--
0002	VTRS13946		WASHER D. 8 X24 INX UNI 6593	7,00	02/2004		--
0003	MPVR35582		RUBBER LAV.	2,00	02/2004		--
0004	MPVR02861		COVER FISSAGGIO SERBATOI	1,00	02/2004		--
0005	RCDS35584		BUSHING D. 8X12X 4.3	3,00	02/2004		--
0006	VTRS13947		WASHER D. 8 INX UNI 6592	4,00	02/2004		--
0007	VTVT15916		SCREW TE M 8X 16 UNI 5739 A2	2,00	02/2004		--
0008	VTVR33529		HANDWHEEL M 8MAX10 D.50	2,00	02/2004		--
0009	VTDD00156		NUT M. 5	1,00	02/2004		--
0010	MPVR02862		COVER FISSAG.SERB.	1,00	02/2004		--
0011	VTVT00657		SCREW TCEI M. 5-30	1,00	02/2004		--
0013	VTVT21887		SCREW TCB-TC 4X10 8112	1,00	02/2004		--
0014	MPVR02933		DUCT LOCK D.9,5	1,00	02/2004		--
0015	CMCV31116		SHEATH L= 520	1,00	02/2004		--
0016	CMCV31117		CORD L= 620 LAV.	1,00	02/2004		--
0017	VTVR00243		CLAMP D.5,5-2	1,00	02/2004		--
0018	VTVT00708		SCREW TE M. 8-40	1,00	02/2004		--
0020	LAFN35585		LEVER LAV. B-BT	1,00	02/2004		--
0021	MPVR04144		GRIP LEVA SQUEEGEE 450	1,00	02/2004		--
0022	LAFN35589		TIE ROD LAV. B-BT	1,00	02/2004		--
0023	VTDD15518		NUT M 6 INX	1,00	02/2004		--
0024	VTVT15371		SCREW TE M 8X45 INOX A2 UNI	1,00	02/2004		--
0025	VTDD00124		NUT M 8 BASSO	2,00	06/2005		--

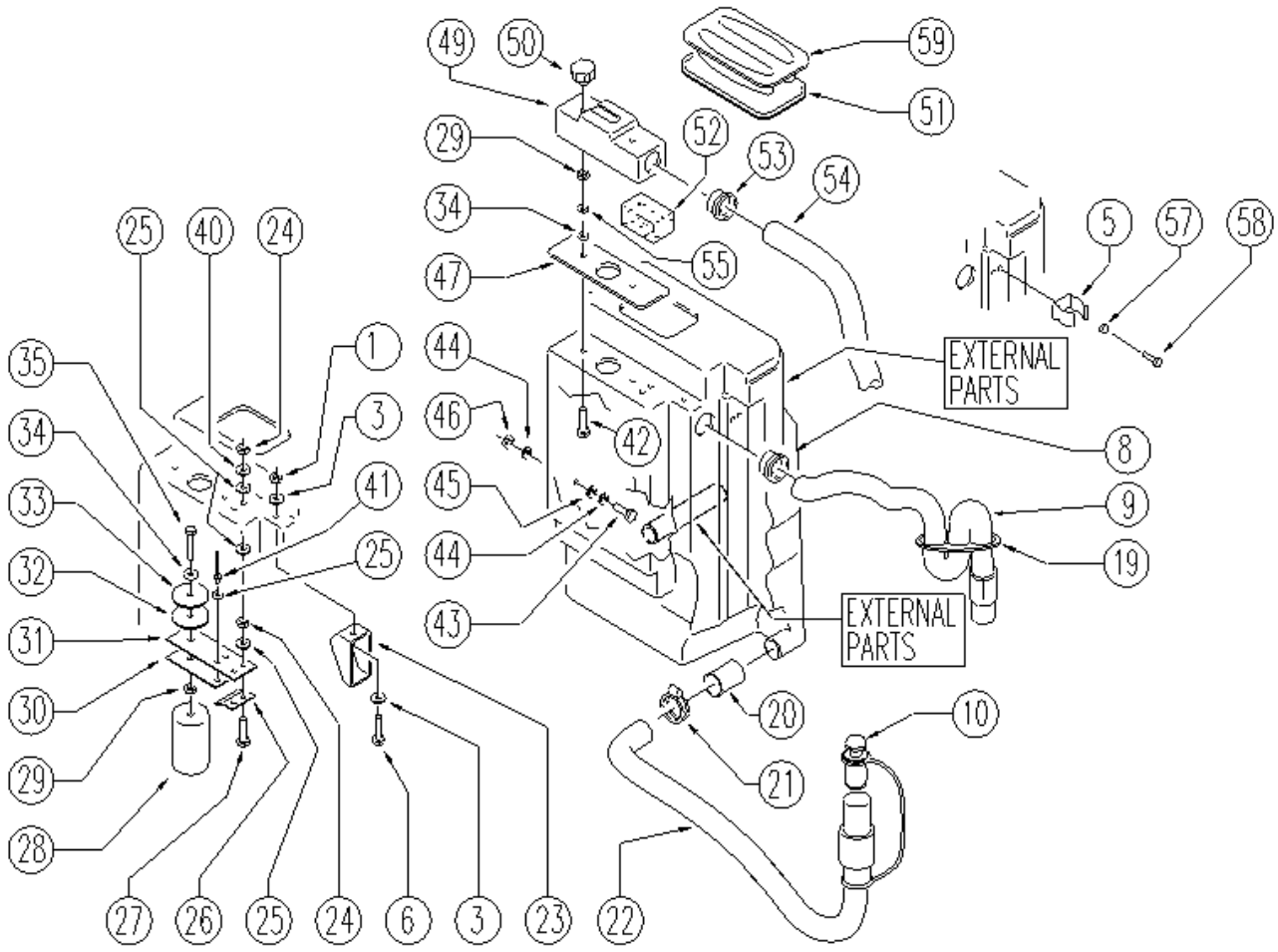




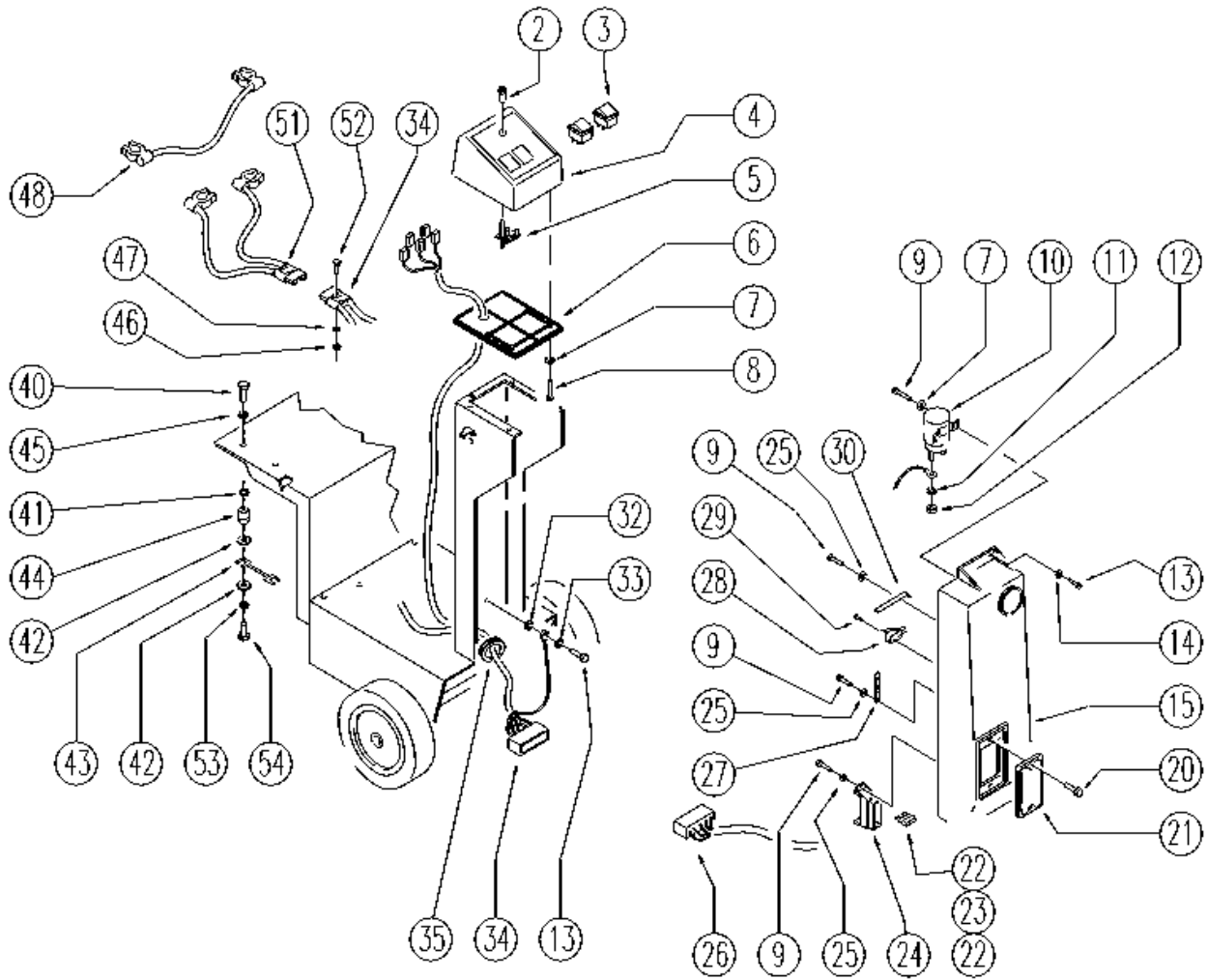
Ref.	K	Part N.	Customer Part N.	Description	Qty	Validity:		Price
						From	To	
0001		MPVR03239		REGULATOR REG.ACQUA	1,00			--
0003		MPVR35582		RUBBER LAV.	2,00	02/2004		--
0004		VTRS16937		WASHER 6x24 INOX UNI 6593	1,00			--
0005		MLML31085		SPRING LAV.	1,00			--
0006		LAFN31084		TIE ROD LAV.	1,00			--
0007		RCDS31087		COUPLING LAV.	1,00			--
0008		GUGO31088		O-RING D. 12 X 2.50 NBR 70SH	1,00			--
0009		FTDT31089		FILTER D.28	1,00			--
0010		RCGR31090		TAP BODY LAV.	1,00			--
0011		GUGO31093		GASKET 25X 12X 3	1,00			--
0012		RCGR00055		CONNECTOR	1,00			--
0013		RCVR49647		HOSE FITTING 3/8 M D.10	1,00			--
0014		VTVT15907		SCREW TE 8X25 UNI5739 INX	1,00	02/2004		--
0015		VTRS13946		WASHER D. 8 X24 INX UNI 6593	2,00	02/2004		--
0016		FSVR00099		CLAMP FERMATUBO	1,00	02/2004		--
0019		RCVR00489		NIPPLE	1,00	02/2004		--
0020		TBBP00285		TUBE SOLUZIONE	1,00			--
0021		FSVR00096		CLAMP 10-16 INOX	2,00	02/2004		--
0022		RCVR45752		HOSE FITTING "L" 3/8M - D.10 PLS.	1,00	02/2004		--
0026		GUGO00245		GASKET	1,00			--
0027		FSVR43136		CLAMP D. 35-40 DF.	1,00			--
0028		TBFX00208		TUBE DI SCARICO	1,00			--
0029		MPVR05064		CAP COMPLETO	1,00			--
0035		VTVT00722		SCREW	2,00			--
0036		VTRS00268		WASHER D.3	2,00			--
0037		MPVR02904		DUCT LOCK TUBO METALLO	1,00			--
0038		VTDD01695		NUT M 8 INX	1,00	06/2005		--



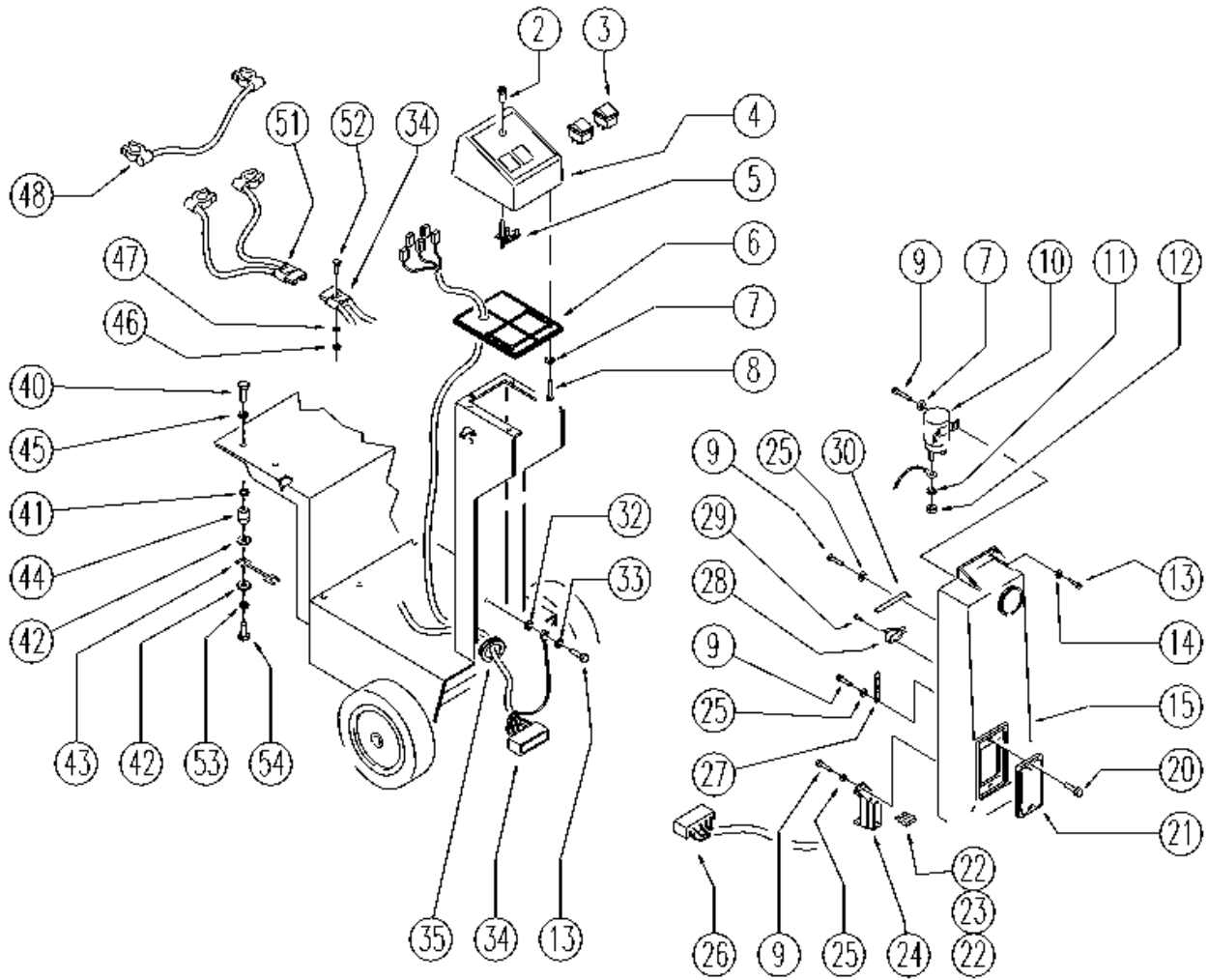
Ref. K	Part N.	Customer Part N.	Description	Qty	Validity:		Price
					From	To	
0001	VTDD07727		NUT M 5 INOX	1,00			--
0005	MPVR02904		DUCT LOCK TUBO METALLO	1,00			--
0006	VTVT07725		SCREW TE 5X16 UNI5739 INX	1,00			--
0008	MPVR31095		BUSHING LAV.	1,00			--
0009	TBFX00209		TUBE ASPIRAZIONE 450-530 CPL	1,00	01/2005		--
0010	MPVR05064		CAP COMPLETO	1,00			--
0019	MPVR02730		PLATE SIFONE	1,00	01/2005		--
0020	GUGO00107		AIR TUBE D40	1,00			--
0021	FSVR43136		CLAMP D. 35-40 DF.	1,00			--
0022	TBFX00208		TUBE DI SCARICO	1,00			--
0023	MPVR35580		BAFFLE LAV. B-BT	1,00			--
0024	VTDD00147		NUT M 4 INX U.5588	4,00			--
0025	VTRS00251		WASHER 4-16 INOX A2	8,00			--
0026	LAFN04949		BRACKET GALLEGGIANTE	1,00			--
0027	VTVT00727		SCREW TE M. 4-20	2,00			--
0028	RCGR31091		FLOATER LAV.	1,00			--
0029	VTDD15520		NUT M 6 A2 UNI 5588 INX	3,00			--
0030	LAFN35577		PLATE LAV. B-BT	1,00			--
0031	MPVR35578		RUBBER LAV. B-BT	1,00			--
0032	MPVR35579		CAP LAV. B-BT	1,00			--
0033	GUVR38601		GASKET MOUSSE LAV.	1,00			--
0034	VTRS16937		WASHER 6x24 INOX UNI 6593	3,00			--
0035	VTVT15142		SCREW TE M 6x45 INOX	1,00			--
0040	VTRS00252		WASHER D.4 INOX A2	2,00			--
0041	VTVR00232		RIVET 4.8X10 INOX A2	2,00			--
0042	VTVT00699		SCREW TE M. 6-70	2,00			--
0043	VTVT15907		SCREW TE 8X25 UNI5739 INX	1,00	02/2004		--
0044	VTRS13946		WASHER D. 8 X24 INX UNI 6593	1,00	02/2004		--
0045	MPVR35582		RUBBER LAV.	2,00	02/2004		--
0046	VTDD01695		NUT M 8 INX	2,00	06/2005		--
0047	GUGO31079		GASKET LAV.	1,00			--
0049	MPAE32032		BOX LAVAMATIC	1,00	02/2004		--
0050	VTVR31296		HANDWHEEL F M6 -6P	2,00			--
0051	GUGO00235		GASKET COPERCH. SERB. RECUPERO	1,00	01/2005		--
0052	FTAC31102		FILTER LAVAP.	1,00	02/2004		--
0053	MPVR31077		BUSHING L.450	1,00	02/2004		--
0054	TBFX00201		TUBE D 34-750 MM	1,00			--
0055	VTRS00246		WASHER D. 6	1,00			--
0057	VTRS00268		WASHER D.3	2,00			--



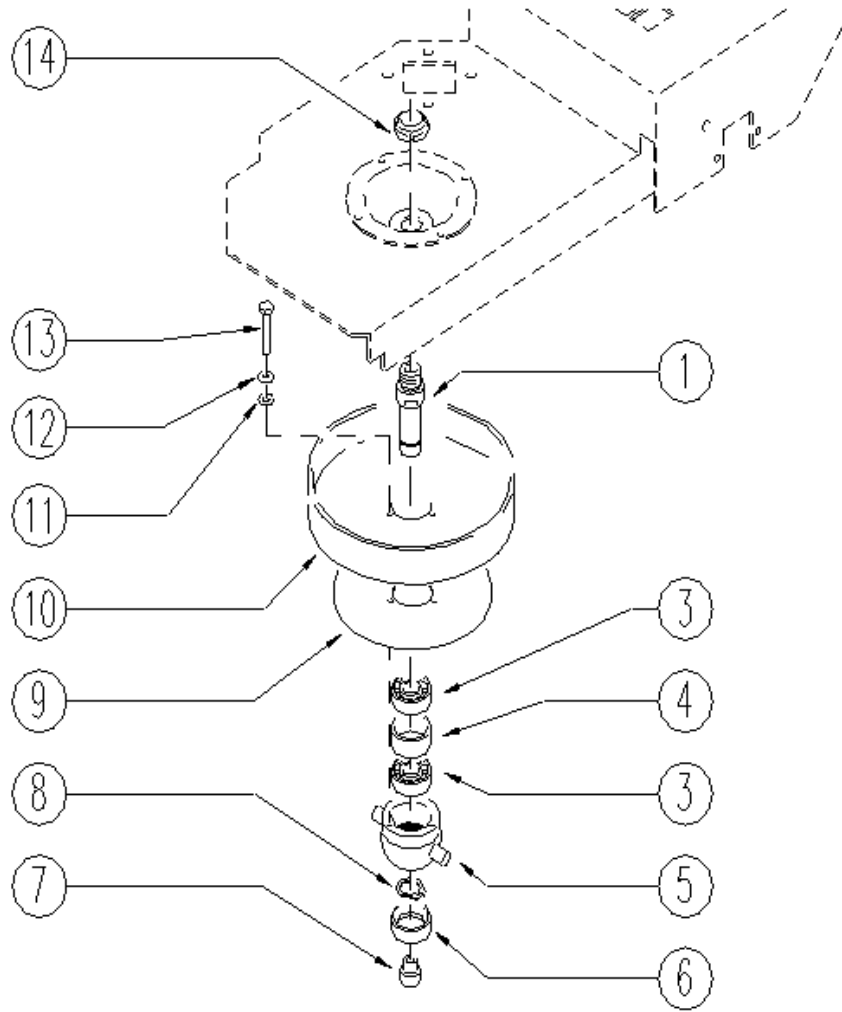
Ref. K	Part N.	Customer Part N.	Description	Qty	Validity:		Price
					From	To	
0058	VTVT00743		SCREW TC+ M. 3-8	2,00			--
0059	MPVR03956		COVER SERB. RECUP. ACCESS	1,00	01/2005		--



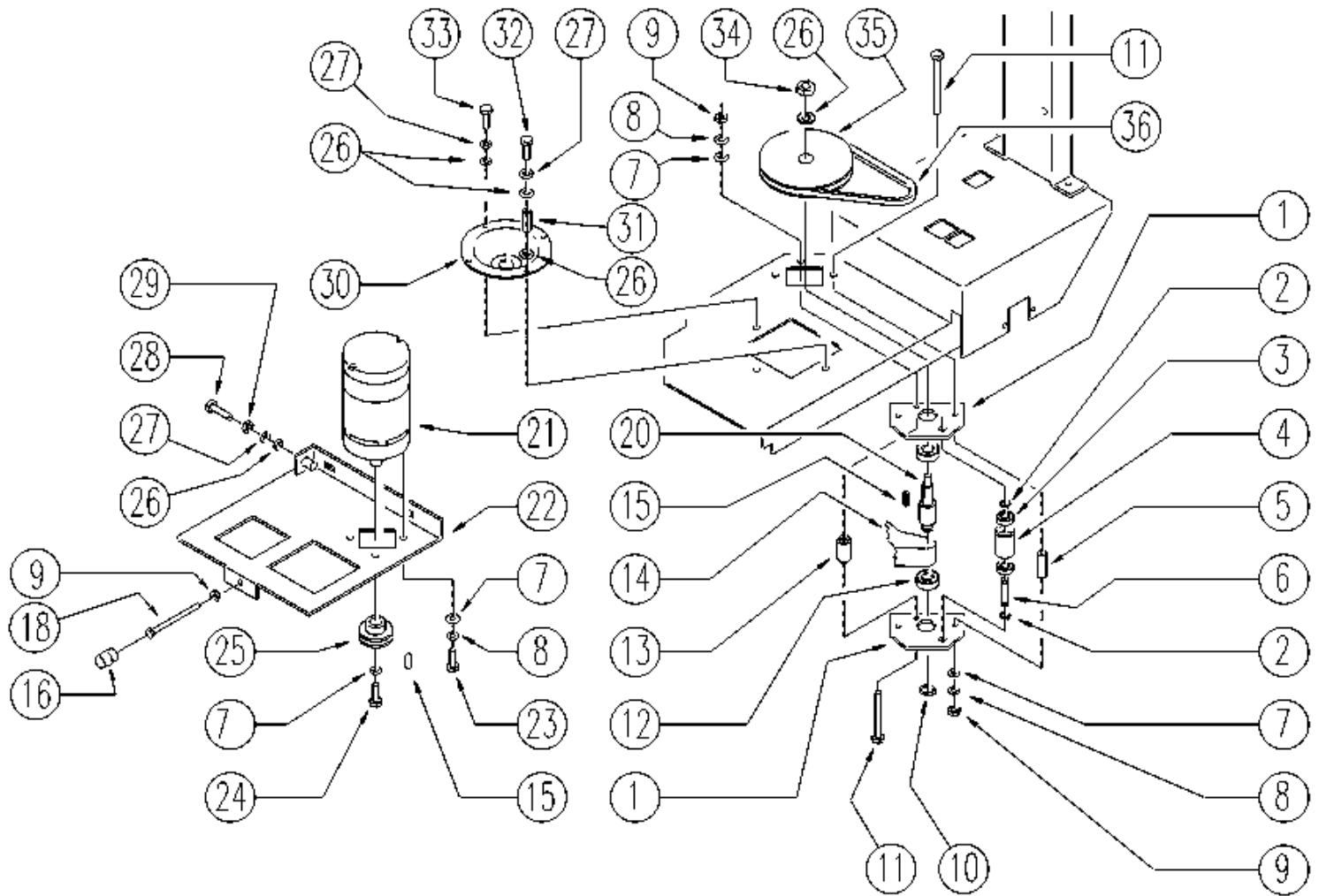
Ref. K	Part N.	Customer Part N.	Description	Qty	Validity:		Price
					From	To	
0002	MELF00013		OIL WARN-LIGHT x SPIA SCARICA BATTERIE	1,00			--
0003	MECI30651		SWITCH GIALLO 36V	2,00			--
0004	MPVR35498		BOX COVER B 450/530	1,00			--
0005	MECE30652		PCB LAV.FL.	1,00			--
0006	MPVR03298		COVER PANN.COMANDI 450/530	1,00			--
0007	VTRS00251		WASHER 4-16 INOX A2	4,00	02/2004		--
0008	VTVT35376		SCREW TCB-TC 3.5X25	4,00	02/2004		--
0009	VTVT00721		SCREW TC+ M.3,5-9,5	4,00			--
0010	METT30650		CONTACTOR 24 V	1,00			--
0011	VTRS00229		WASHER D.8	2,00			--
0012	VTDD10776		NUT M 8 X1 UNI 5588	2,00			--
0013	VTVT21887		SCREW TCB-TC 4X10 8112	3,00	02/2004		--
0014	VTRS00501		WASHER D. 4 0.232 UNI 6592	2,00	02/2004		--
0015	LAFN35339		COVER B 450	1,00			--
0020	VTVT00640		SCREW TBEI M 6-12 INOX	2,00			--
0021	MPVR35628		COVER LAV.	1,00			--
0022	MEVR01132		FUSE A LAMA 5 A.	2,00			--
0023	MEVR01135		FUSE A LAMA 25 A. 32V	1,00			--
0024	MEVR01387		BODY SENZA TERMINALI	1,00			--
0025	VTRS15958		WASHER D. 5 X15 UNI 6593	2,00			--
0026	MECB00816		WIRING COPERTURA PIANTONE	1,00			--
0027	MLML31119		SPRING TR.	1,00			--
0029	VTVT11286		SCREW 2,2X12	2,00			--
0030	LAFN04787		FOIL COMANDO MICRO	1,00			--
0032	VTRS00252		WASHER D.4 INOX A2	3,00			--
0033	VTRS00515		WASHER D. 4 INX	1,00			--
0034	MECB00814		WIRING PRINCIP. 450	1,00			--
0035	MEVR01121		FAIR-LEAD	1,00			--
0040	VTVT01109		SCREW TE M 6X 10 ZC. UNI 5739	2,00	02/2004		--
0041	VTRS00228		WASHER D. 6	2,00	02/2004		--
0042	VTRS00239		WASHER D.6-18	4,00			--
0043	MEVR31123		FUSE 60A LML.	1,00	02/2004		--
0044	MEVR44054		INSULATOR M6 20-CH17	2,00	02/2004		--
0045	VTRS00231		WASHER D. 6 UNI 6592 PIANA ZINC.	2,00	02/2004		--
0046	VTDD00129		NUT M .3	2,00	02/2004		--
0047	VTRS00247		WASHER D. 3	2,00	02/2004		--
0048	MEVR34820		WIRING B 450 BT	1,00			--
0051	MECB00824		WIRING BATTER.	1,00			--
0052	VTVT00693		SCREW	2,00	02/2004		--



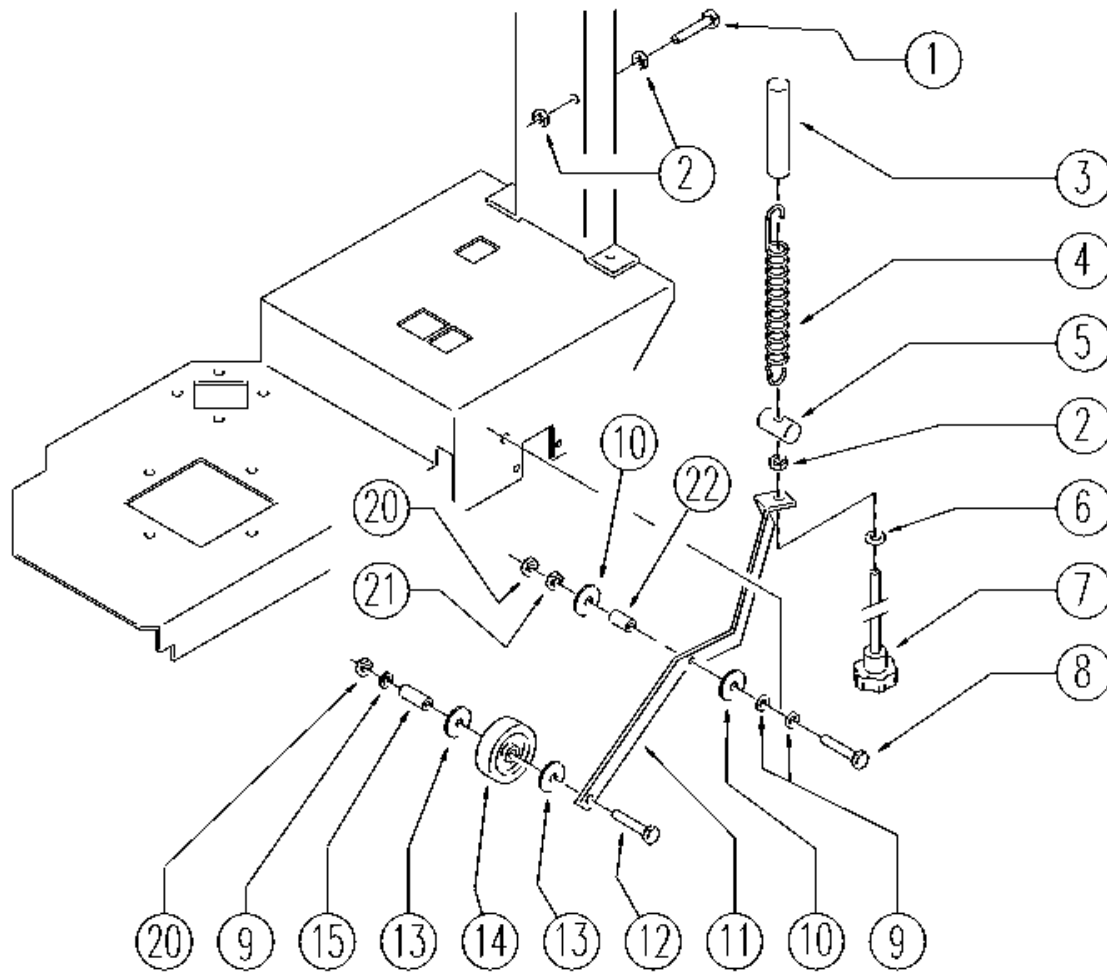
Ref.	K	Part N.	Customer Part N.	Description	Qty	Validity:		Price
						From	To	
0053		VTRS15144		WASHER D. 6 INX GRW UNI 1751	2,00	02/2004		--
0054		VTVT15906		SCREW TE 6X 12 A2 UNI 5739	2,00	02/2004		--



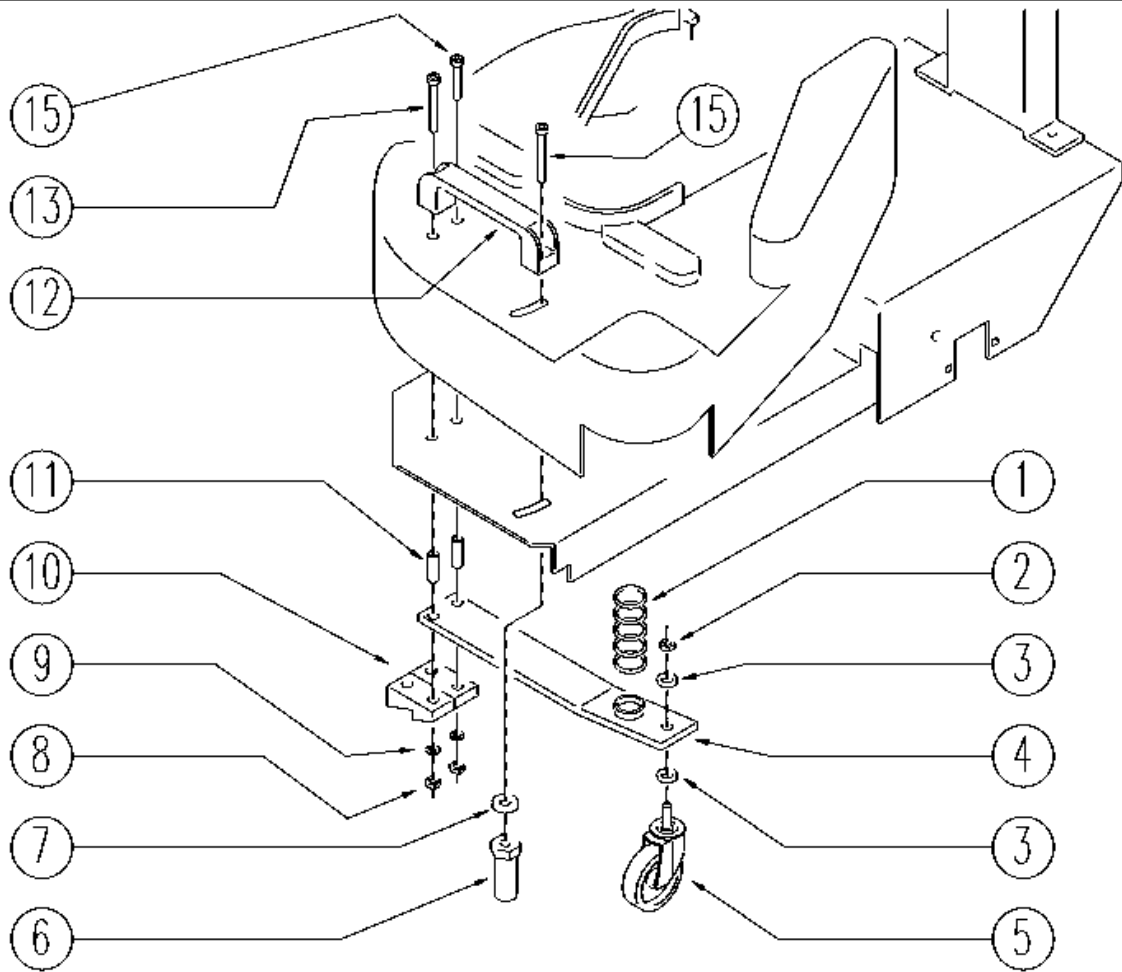
Ref. K	Part N.	Customer Part N.	Description	Qty	Validity: From	To	Price
0001	LAFN45447		PIN LAVAPAV.E/B 2V.	1,00	02/2004		--
0003	CUVR31111		BALL BEARING 6005-2RS1	2,00	02/2004		--
0004	LAFN31112		SPACER SLO7161	1,00	02/2004		--
0005	LAFN31113		DRIVE DISK LV	1,00	02/2004		--
0006	GUGO00280		OIL SEAL	1,00			--
0007	MPVR35650		CAP NYL.	1,00	02/2004		--
0008	VTAE00052		RING ARRESTO ALBERO	1,00			--
0009	MPVR02768		DISC PROTEZIONE	1,00	02/2004		--
0010	MTPL34057		PULLEY E/B450	1,00	02/2004		--
0011	VTRS00246		WASHER D. 6	3,00	02/2004		--
0012	VTRS00245		WASHER D.6 UNI 6592 INOX	3,00	02/2004		--
0013	VTVT15143		SCREW TE 6X16 UNI5739	3,00	02/2004		--
0014	LAFN36319		RING NUT M25X1.5-10.3	1,00	02/2004		--



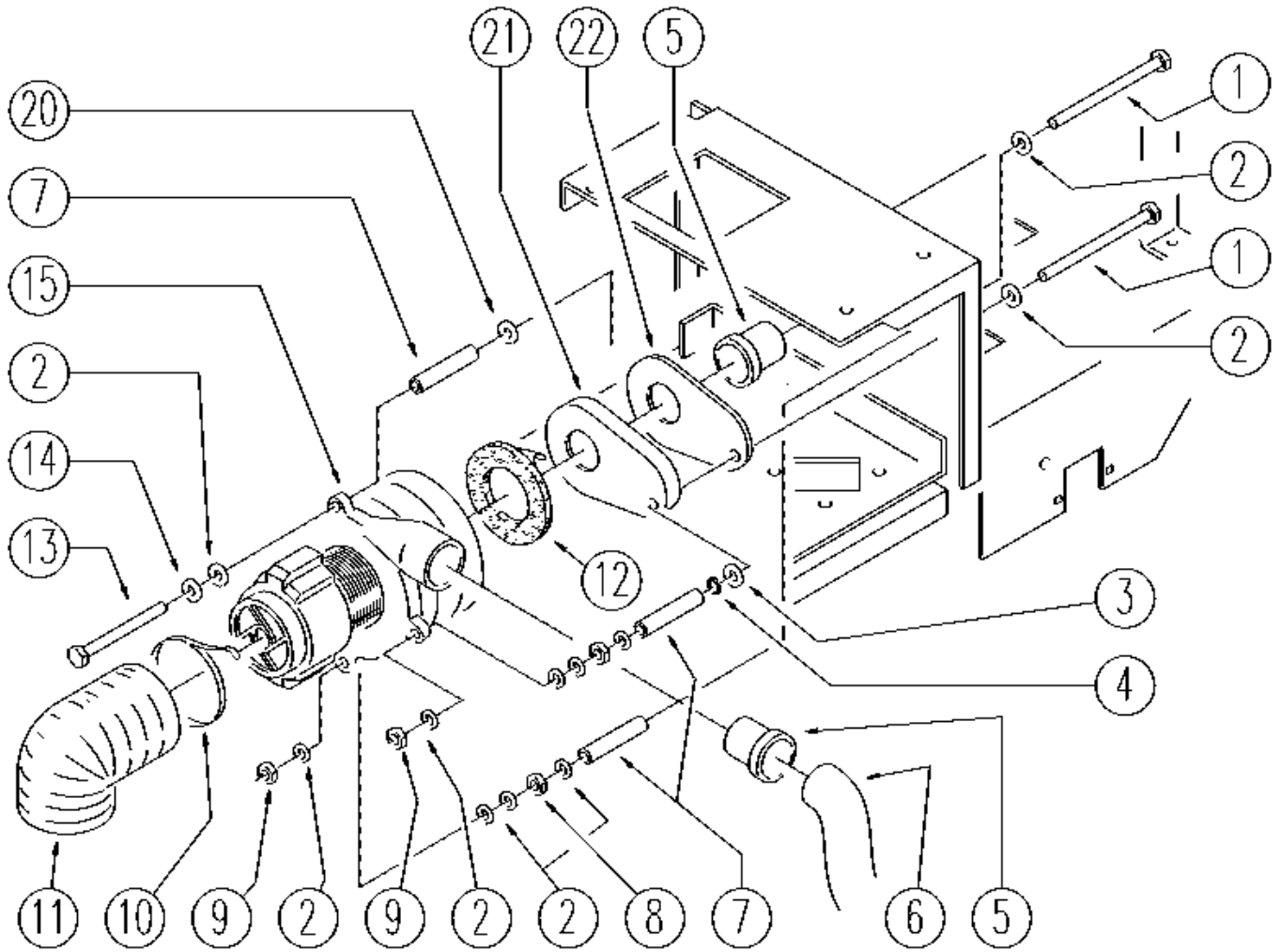
Ref.	K	Part N.	Customer Part N.	Description	Qty	Validity: From	To	Price
0001		LAFN35756		PLATE LAV. B450	2,00	02/2004	--	--
0002		VTAE00051		CIRCLIP X ALBERO D. 12 U7435 INX	2,00	02/2004	--	--
0003		CUVR00085		BEARING 6001 2RSH	2,00	02/2004	--	--
0004		MTPL31109		PULLEY LAVAM.	1,00	02/2004	--	--
0005		LAFN35750		SPACER LAV. E/B 450	2,00	02/2004	--	--
0006		LAFN31110		PLUG LAV. B 450	1,00	02/2004	--	--
0007		VTRS00245		WASHER D.6 UNI 6592 INOX	8,00	02/2004	--	--
0008		VTRS00246		WASHER D. 6	7,00	02/2004	--	--
0009		VTDD15520		NUT M 6 A2 UNI 5588 INX	4,00	02/2004	--	--
0010		VTAE13512		CIRCLIP D. 17 UNI 7435	1,00	02/2004	--	--
0011		VTVT00655		SCREW TE M. 6-55	3,00	02/2004	--	--
0012		CUVR00102		BEARING 6203-2RS1H	2,00	02/2004	--	--
0013		LAFN31115		SPACER LAV. B 450	1,00	02/2004	--	--
0014		MTCG30647		BELT SV 900 H25 SP.1.7 S140 HB	1,00	02/2004	--	--
0015		VTVR13165		KEY 5X5X20	2,00	02/2004	--	--
0016		LAFN31041		FOOT D. 10 FF E350	1,00	02/2004	--	--
0018		VTVT00700		SCREW TE M.6-80	1,00	02/2004	--	--
0020		ALTR31108		SHAFT LAV. B 450	1,00	02/2004	--	--
0021		MOCC36311		TRACTION MOTOR DW225 600 W 24V	1,00	02/2004	--	--
0022		LAFN04873		MOTOR SUPPORT SPZ F. 450 ECO-B	1,00	02/2004	--	--
0023		VTVT15143		SCREW TE 6X16 UNI5739	4,00	02/2004	--	--
0024		VTVT15143		SCREW TE 6X16 UNI5739	1,00	02/2004	--	--
0025		MTPL35754		PULLEY 50-1Z B450	1,00	02/2004	--	--
0026		VTRS13947		WASHER D. 8 INX UNI 6592	7,00	02/2004	--	--
0027		VTRS00269		WASHER D. 8 DIN 6798-A INX A2	5,00	02/2004	--	--
0028		VTVT77509		SCREW TE 8X60 UNI5739	1,00	02/2004	--	--
0029		VTDD15521		NUT M 8 INX A2 UNI 5588	1,00	02/2004	--	--
0030		LAFN35745		FLANGE LAV.	1,00	02/2004	--	--
0031		LAFN35753		SPACER D. 9.6-12 L=24	1,00	02/2004	--	--
0032		VTVT15917		SCREW TE M 8X50 INOX A2 UNI	1,00	02/2004	--	--
0033		VTVT13938		SCREW TE 8X20 UNI5739 INX	3,00	02/2004	--	--
0034		VTDD01695		NUT M 8 INX	1,00	02/2004	--	--
0035		MTPL35755		PULLEY 150-1Z B450	1,00	02/2004	--	--
0036		MTCG31031		BELT SPZ 687 RE-X	1,00	02/2004	--	--



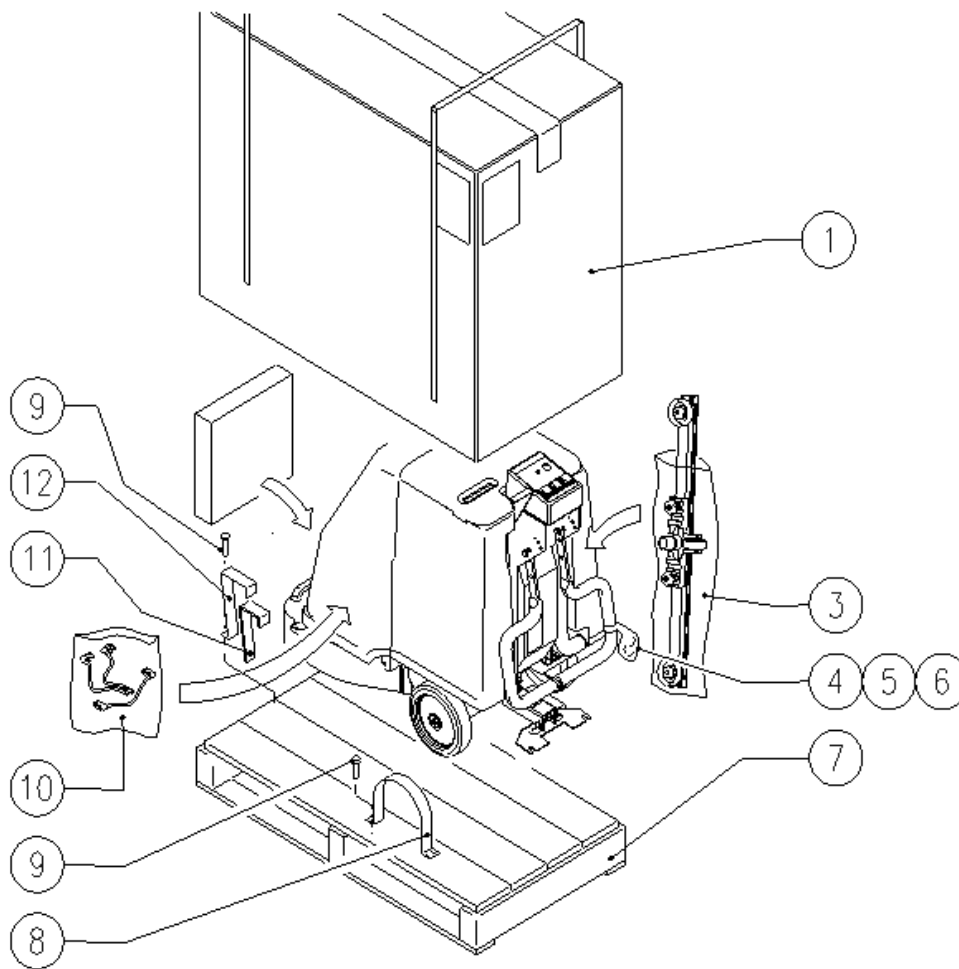
Ref.	K	Part N.	Customer Part N.	Description	Qty	Validity:		Price
						From	To	
0001		VTVT18190		SCREW	1,00	02/2004		--
0002		VTDD15520		NUT M 6 A2 UNI 5588 INX	3,00	02/2004		--
0003		MPVR02223		SHEATH PVC NERA	0,12	02/2004		--
0004		MLML31130		SPRING D. 17,5 X110 N38	1,00	02/2004		--
0005		LAFN35747		SPRING SUPPORT LAV. E/B 450	1,00	02/2004		--
0006		VTRS13945		WASHER D. 6X18 INX UNI 6593	1,00	02/2004		--
0007		VTVR35749		HANDWHEEL M 6MAX110 D.35	1,00			--
0008		VTVT00410		SCREW TE M8x35 UNI5739 INOX	1,00	02/2004		--
0009		VTRS13947		WASHER D. 8 INX UNI 6592	3,00	02/2004		--
0010		VTRS00265		WASHER	2,00	02/2004		--
0011		LAFN04875		LEVER SEMITRAZIONE	1,00	02/2004		--
0012		VTVT77509		SCREW TE 8X60 UNI5739	1,00	02/2004		--
0013		MPVR02898		WASHER IN PLAST. NERA	2,00	12/2004		--
0014		RTRT00269		WHEEL COMPL. DI CUSCINETTI	1,00	12/2004		--
0015		LAFN04205		PIN PER ROTELLA	1,00	12/2004		--
0020		VTDD01695		NUT M 8 INX	2,00	06/2005		--
0021		VTDD15521		NUT M 8 INX A2 UNI 5588	1,00	02/2004		--
0022		RCDS34717		BUSHING D. 9X12X 8.3	1,00	02/2004		--



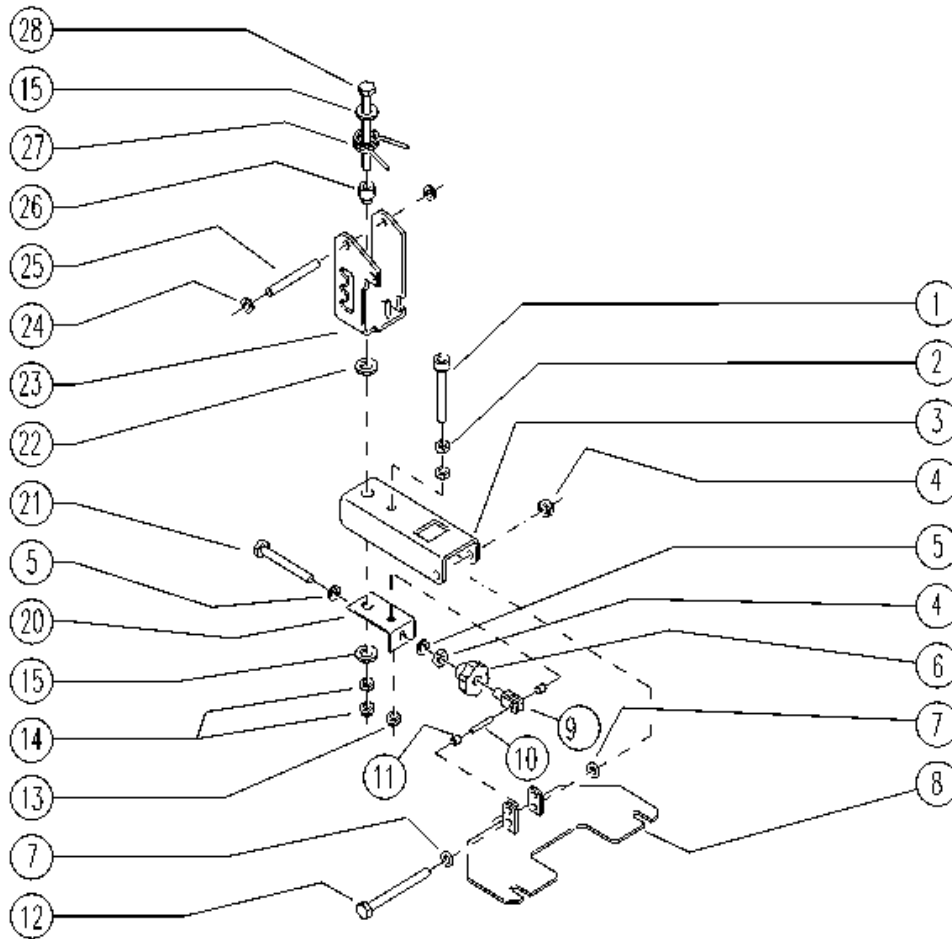
Ref. K	Part N.	Customer Part N.	Description	Qty	Validity:		Price
					From	To	
0001	MLML00178		SPRING RUOTINO PIVOTTANTE	1,00	02/2004	--	--
0002	VTDD00131		NUT M.12 AUT. DIN 982 ZINC	1,00	02/2004	--	--
0003	VTRS00232		WASHER D.12 UNI 6592 ZINC.	2,00		--	--
0004	LAFN05248		LEVER RUOTINO PIVOTT.X	1,00	02/2004	--	--
0005	RTRT43375		TURNING WHEEL D. 60 M12X30	1,00	02/2004	--	--
0006	LAFN03792		SPACER FILETT.F450	1,00	02/2004	--	--
0007	VTRS00281		WASHER OTTONE X ECOB RUOTINO	1,00	02/2004	--	--
0008	VTDD01695		NUT M 8 INX	2,00	06/2005	--	--
0009	VTRS13946		WASHER D. 8 X24 INX UNI 6593	2,00	02/2004	--	--
0010	ABGO00038		SILENT BLOK F.450 BT	2,00		--	--
0011	LAFN03787		SPACER SILENT BLOCK	2,00	02/2004	--	--
0012	MPVR31097		HANDLE L=224-151 D.8.5 LAVAP.	1,00	02/2004	--	--
0013	VTVT00763		SCREW TCEI M. 8-60	2,00	02/2004	--	--
0015	VTVT00764		SCREW TCEI M. 8-50	2,00	02/2004	--	--



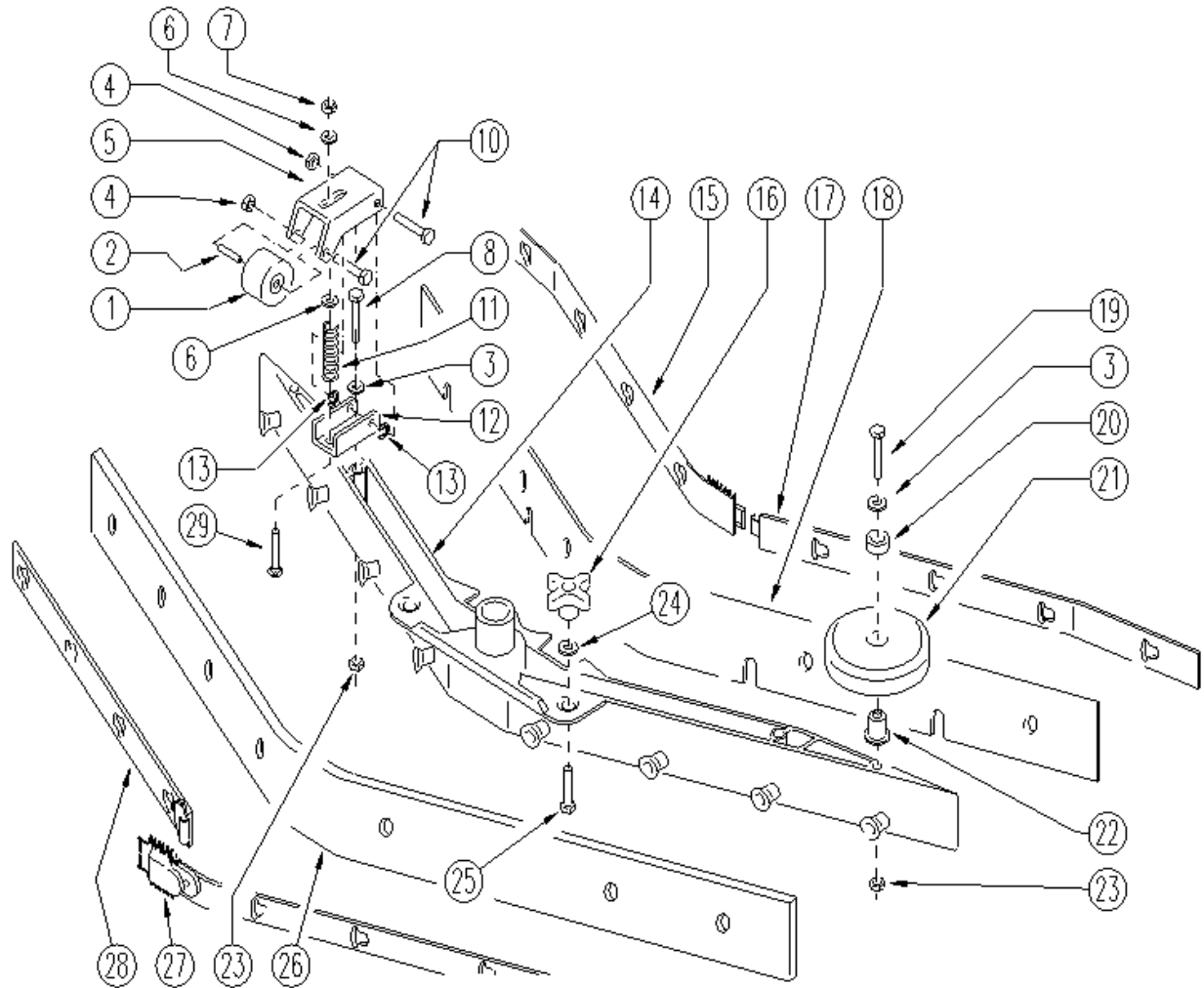
Ref. K	Part N.	Customer Part N.	Description	Qty	Validity:		Price
					From	To	
0001	VTVT00789		SCREW	2,00	02/2004	--	--
0002	VTRS00245		WASHER D.6 UNI 6592 INOX	11,00	02/2004	--	--
0003	VTRS01076		WASHER D.14X18,5X0,5	1,00	02/2004	--	--
0004	VTAE00051		CIRCLIP X ALBERO D. 12 U7435 INX	1,00	02/2004	--	--
0005	MPVR31077		BUSHING L.450	2,00	02/2004	--	--
0006	TBFX00207		TUBE D 34-540 MM	1,00	02/2004	--	--
0007	LAFN03819		SPACER MOTORE ASPIRAZ.	3,00	02/2004	--	--
0008	VTDD15520		NUT M 6 A2 UNI 5588 INX	2,00	02/2004	--	--
0009	VTDD15518		NUT M 6 INX	2,00	02/2004	--	--
0010	FSVR00086		CLAMP	1,00	02/2004	--	--
0011	TBBP00225		TUBE D 80-320 MM	1,00	02/2004	--	--
0012	GUGO31051		GASKET LAV.	1,00	02/2004	--	--
0013	VTVT00768		SCREW TE M. 6-110 ZN BIANCA	1,00	02/2004	--	--
0014	VTRS00246		WASHER D. 6	1,00	02/2004	--	--
0015	MOCC30648		MOTOR LAV.FL. 24V	1,00	02/2004	--	--
0020	VTRS13947		WASHER D. 8 INX UNI 6592	1,00	02/2004	--	--
0021	MPVR35766		CONVEYOR LAV. B 450	1,00	02/2004	--	--
0022	GUGO31147		GASKET B 450	1,00	02/2004	--	--



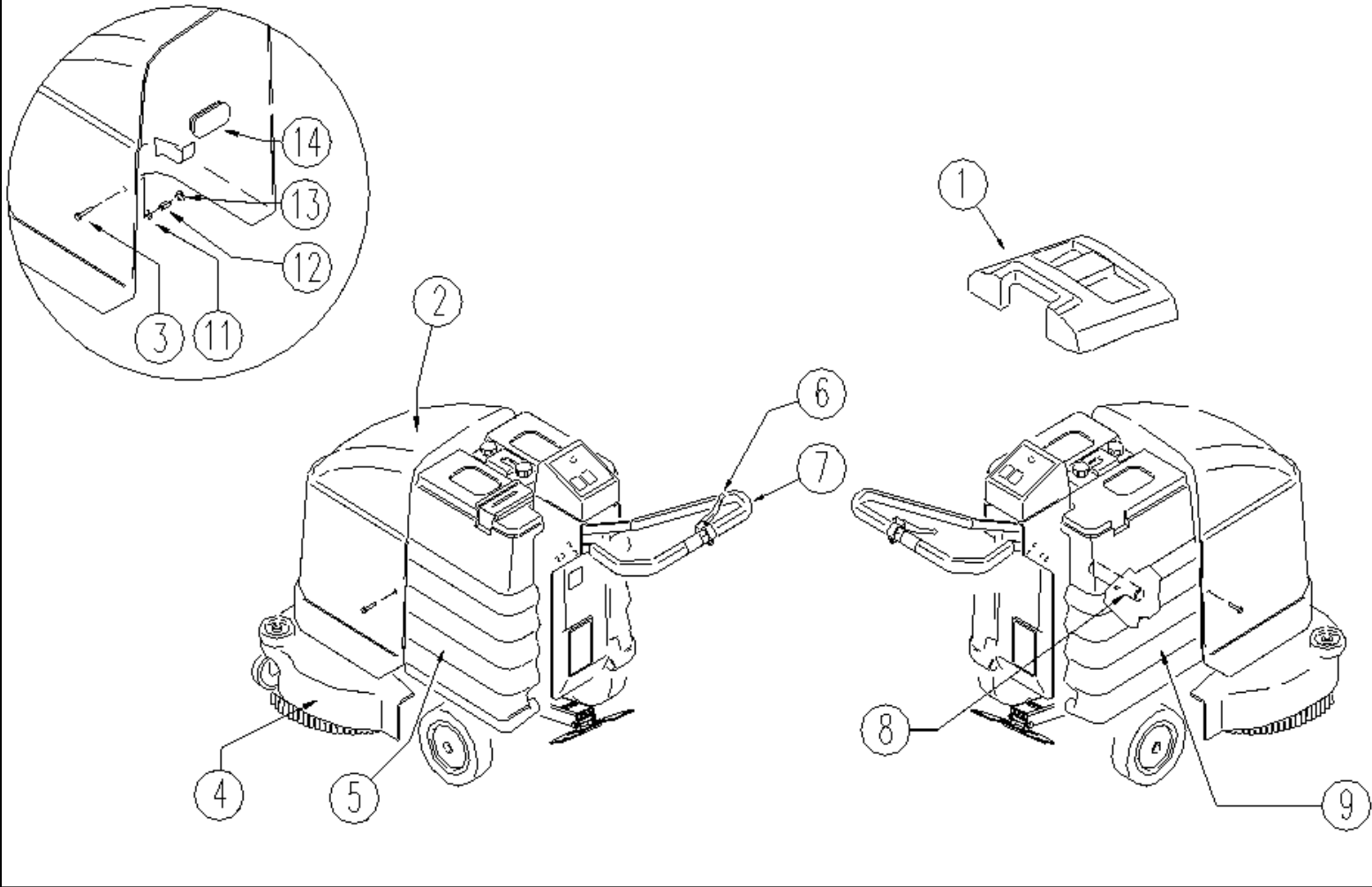
Ref. K	Part N.	Customer Part N.	Description	Qty	Validity:		Price
					From	To	
0001	MICT00088		CARTON NEUTRO 450	1,00			--
0004	VTVR33529		HANDWHEEL M 8MAX10 D.50	2,00			--
0005	MIVR00072		ENVELOPE PLASTICA TRASP.	1,00			--
0006	MEVR01079		CONNECTOR CARICABATT.ROSSO	1,00			--
0007	MIBA00058		PALLET	1,00			--
0008	MIVR00135		CLAMP RUOTA POSTERIORE X IMBAL.	2,00			--
0009	VTVT00043		SCREW AUTOF.LEGNO 4,5X25 TS BR	9,00			--
0012	MIVR00136		CLAMP RUOTA POSTERIORE X IMBAL.	1,00			--



Ref.	K	Part N.	Customer Part N.	Description	Qty	Validity:		Price
						From	To	
0001		VTVT00729		SCREW TCEI M. 6-35	1,00			--
0002		VTDD15520		NUT M 6 A2 UNI 5588 INX	2,00			--
0003		LAFN36370		ARM DRW	1,00			--
0004		VTDD01695		NUT M 8 INX	2,00			--
0005		VTRS13947		WASHER D. 8 INX UNI 6592	2,00			--
0006		VTVR36369		HANDWHEEL F 8MAX20 D.40 FP	1,00			--
0007		VTRS00274		WASHER NYLON 66 D.8,4-17-2 UNI	2,00			--
0009		CMCV35596		FORK M 8 X42 BT	1,00			--
0010		LAFN35619		PLUG D. 8 X 48.5 LAV.	1,00			--
0011		LAFN35621		SPACER LAV.	1,00			--
0012		VTVT00757		SCREW	1,00			--
0013		VTDD15518		NUT M 6 INX	1,00			--
0014		VTDD15521		NUT M 8 INX A2 UNI 5588	2,00			--
0015		VTRS13946		WASHER D. 8 X24 INX UNI 6593	2,00			--
0020		LAFN36371		BRACKET DRW	1,00			--
0021		VTVT77509		SCREW TE 8X60 UNI5739	1,00			--
0022		LAFN03726		WASHER SQUEEGEE FL. 450	1,00			--
0023		LAFN35616		BRACKET LAV. B-BT	1,00			--
0024		VTDD15518		NUT M 6 INX	2,00			--
0025		LAFN35617		PLUG D. 8 X 71.5 LAV.	1,00			--
0026		LAFN35618		BUSHING LAV. B-BT	1,00			--
0027		MLML34058		SPRING FLR	1,00			--
0028		VTVT15371		SCREW TE M 8X45 INOX A2 UNI	1,00			--



Ref. K	Part N.	Customer Part N.	Description	Qty	Validity: From	To	Price
0001	RTRT49413		WHEEL D. 60-D.15 X36 NYL.	2,00	03/2004		--
0002	LAFN04041		SPACER D6/15	2,00	03/2004		--
0003	VTRS15144		WASHER D. 6 INX GRW UNI 1751	4,00			--
0004	VTDD01694		NUT M 6 INX	4,00	03/2004		--
0005	LAFN05559		SUPPORT RUOTINO	2,00	03/2004		--
0006	VTRS13947		WASHER D. 8 INX UNI 6592	4,00	03/2004		--
0007	VTDD01695		NUT M 8 INX	2,00	03/2004		--
0008	VTVT15142		SCREW TE M 6x45 INOX	2,00	03/2004		--
0010	VTVT15515		SCREW TE M 6X 50 INOX A2	4,00			--
0011	MLML49422		SPRING D.15X 45 X1	2,00			--
0012	LAFN51069		BRACKET SUPP.RUOTINO SQUEEGEE	2,00			--
0013	VTAE45707		CIRCLIP D. 6 UNI 7434 INOX	4,00			--
0014	MFVR00143		BODY SQUEEGEE PRESSOFUSO	1,00			--
0015	LAFN51042		LAMINATION BLOCCA LAMA ANTER.SX XS	1,00	03/2004		--
0016	MPVR04164		HANDWHEEL M8 FILETTO PASSANTE	2,00	03/2004		--
0017	LAFN51043		LAMINATION BLOCCA LAMA ANTER.DX XS	1,00	03/2004		--
0018	MPVR51017		BLADE ANTER.TERGI XS	1,00	03/2004		--
0019	VTVT00655		SCREW TE M. 6-55	2,00			--
0020	MPVR49229		BUSHING SHK	2,00	03/2004		--
0021	RTRT43370		CASTER D.100 2V.	2,00	03/2004		--
0022	LAFN04100		SPACER PER RUOTINO PARACOLPI	2,00	03/2004		--
0023	VTDD15520		NUT M 6 A2 UNI 5588 INX	4,00	03/2004		--
0024	VTAE00074		CIRCLIP D8	2,00	03/2004		--
0025	VTVT01050		SCREW TE M 8X30 INX UNI 5737	2,00			--
0026	MPVR51016		BLADE POST.TERGI XS	1,00	03/2004		--
0027	LAFN51041		LAMINATION BLOCCA LAMA POST.DX XS	1,00			--
0028	LAFN51040		LAMINATION BLOCCA LAMA POST.SX XS	1,00			--
0029	VTVT01304		SCREW M 8X 40 TTQST UNI 5731	2,00			--



Ref. K	Part N.	Customer Part N.	Description	Qty	Validity:		Price
					From	To	
0001	MPVR03779		COVER SERBATOIO	1,00	12/2004	--	--
0003	VTVT00712		SCREW	2,00	12/2004	--	--
0004	MPVR35762		BRUSH PROTECT. LAV. B 450	1,00	12/2004	--	--
0005	MPVR03230		TANK	1,00	09/2005	--	--
0006	LAFN05343		LEVER TRAFIONE F.450 DESTRA	1,00	12/2004	--	--
0007	LAFN35583		HANDLE LAV. 450-530	1,00	12/2004	--	--
0008	MPVR02860		CROSS SERBATOIO	1,00	09/2005	--	--
0009	MPVR03416		TANK RECUPERO	1,00	09/2005	--	--
0011	MLML00173		SPRING A TAZZA D 6,2-18	2,00	12/2004	--	--
0012	LAFN04040		BUSHING	2,00	12/2004	--	--
0013	LAFN03764		BUSHING DI AGGANCIO COFANO	2,00	12/2004	--	--