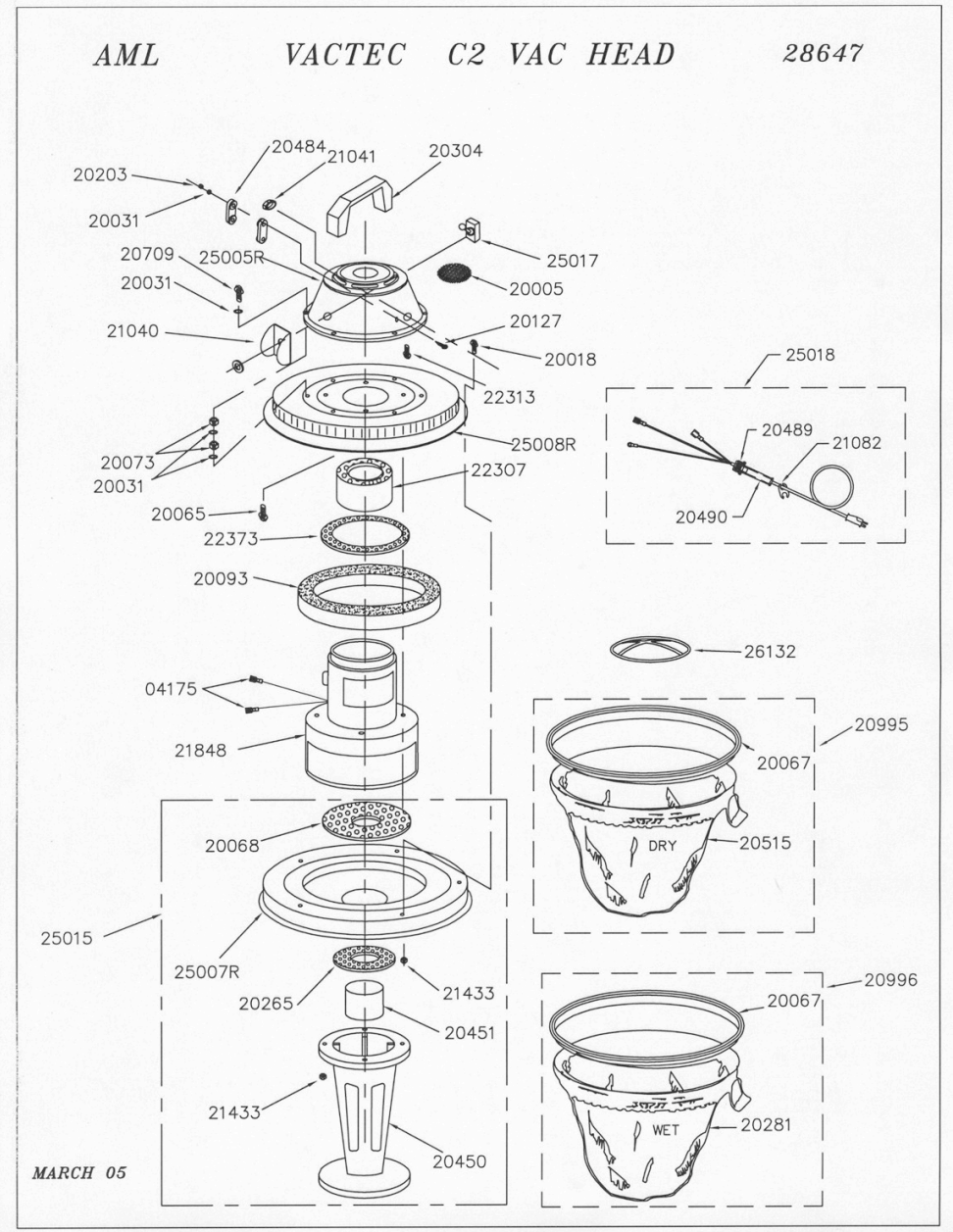


28647

VACTEC C2 VAC HEAD AML

ITEM	DESCRIPTION	QTY REQ
04175	TERMINAL - FEMALE QUICK CONNECT	2
20005	SCREEN	1
20018	8-32 X 1/2 SCREW	5
20031	LOCKWASHER	11
20065	8-32 X 1/2 BRASS SCREW	2
20067	FILTER SUPPORT RING	2
20068	LOWER MOTOR GASKET	1
20073	8-32 NUT BRASS	4
20093	SHROUD FILTER	1
20127	8-32 X 1" SCREW	2
20203	8-32 NUT	2
20265	GASKET WET SHUT OFF	1
20281	WET FILTER	1
20304	HANDLE	1
20450	FLOAT CASTING	1
20451	FLOAT SHUT OFF	1
20484	CORD GRIP	2
20489	BUSHING	1
20490	BENDING GUARD	1
20515	LARGE DRY FILTER	1
20709	8-32 X 5/16 SCREW	5
20995	LARGE DRY FILTER ASSEMBLY	1
20996	LARGE WET FILTER ASSEMBLY	1
21040	VACUUM SWITCH GUARD	1
21041	NUT BENDING GUARD	1
21082	CORD GRIP	1
21433	8-32 NYLOC NUT	9
21848	VAC MOTOR BY-PASS	1
22307	GASKET MED BI-PASS	1
22313	# 10 X 3/8 PHS HI-LO	2
22373	GASKET-SHROUD	1
25005R	MOTOR COVER-RED	1
25007R	VAC. LID	1
25008R	SHROUD-RED	1
25015	ADAPTER KIT	1
25017	SWITCH - QUICK CONNECT	1
25018	CORD SET - 50 FEET	1
26132	JOGGER RING	1



MARCH 2005