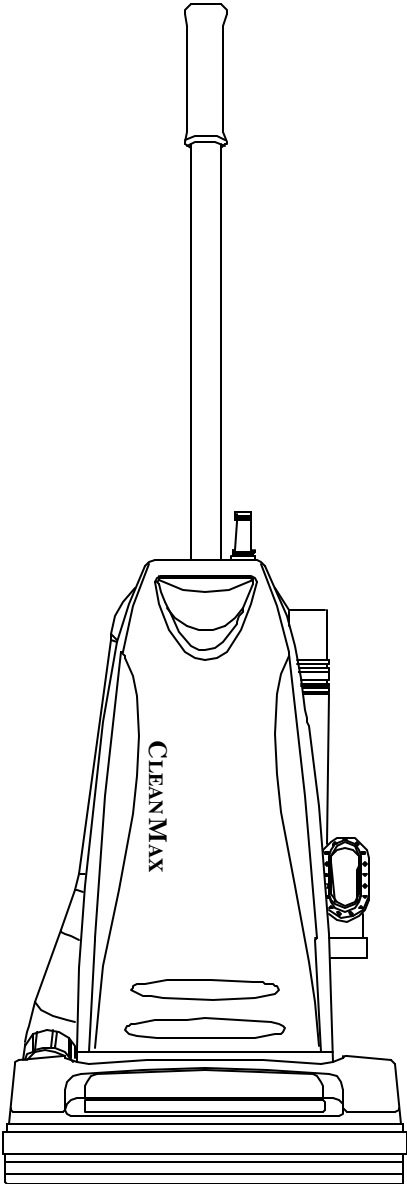


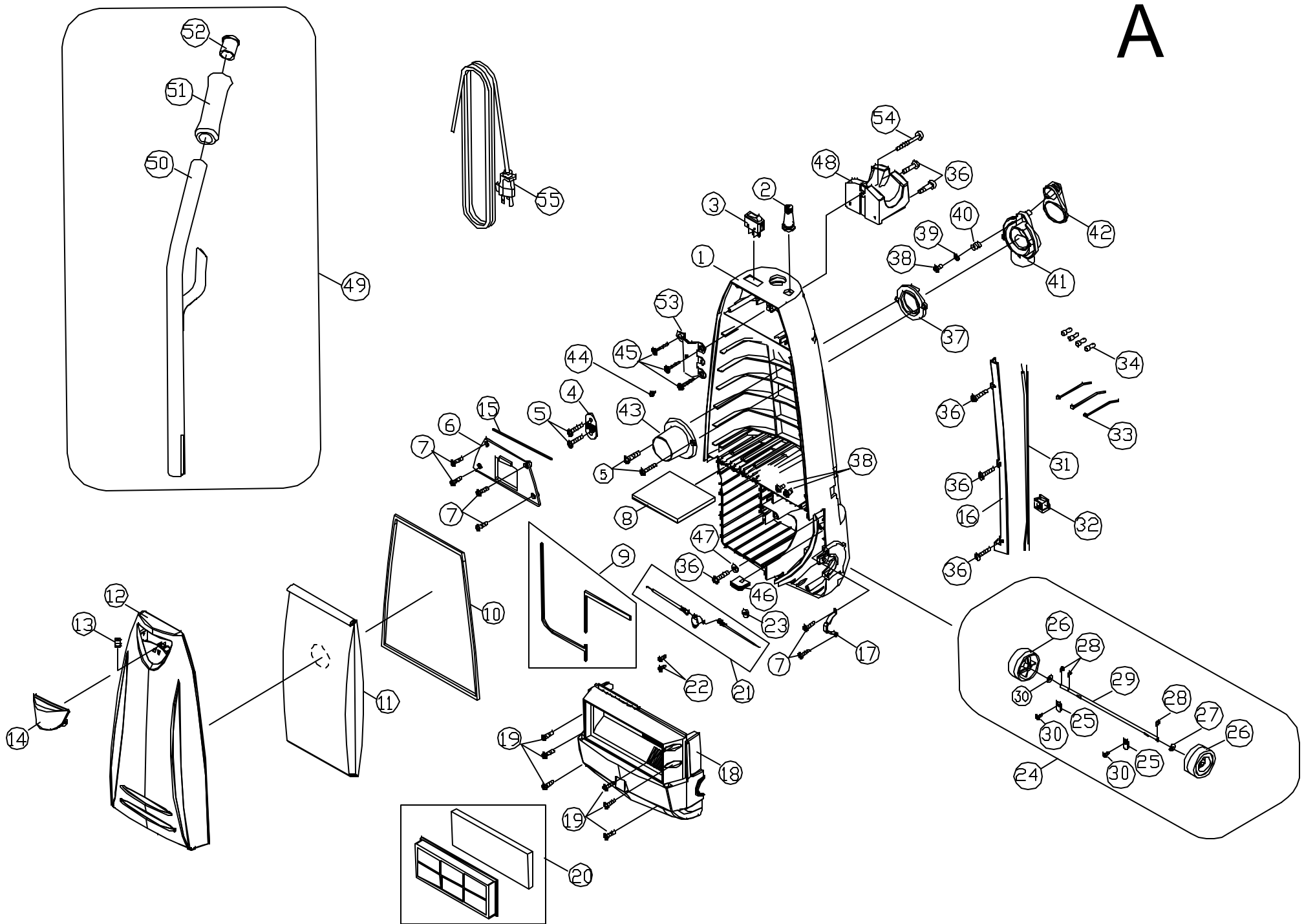
Parts List



CLEAN MAX
CMPS-1N

CMPB-CMPS1N

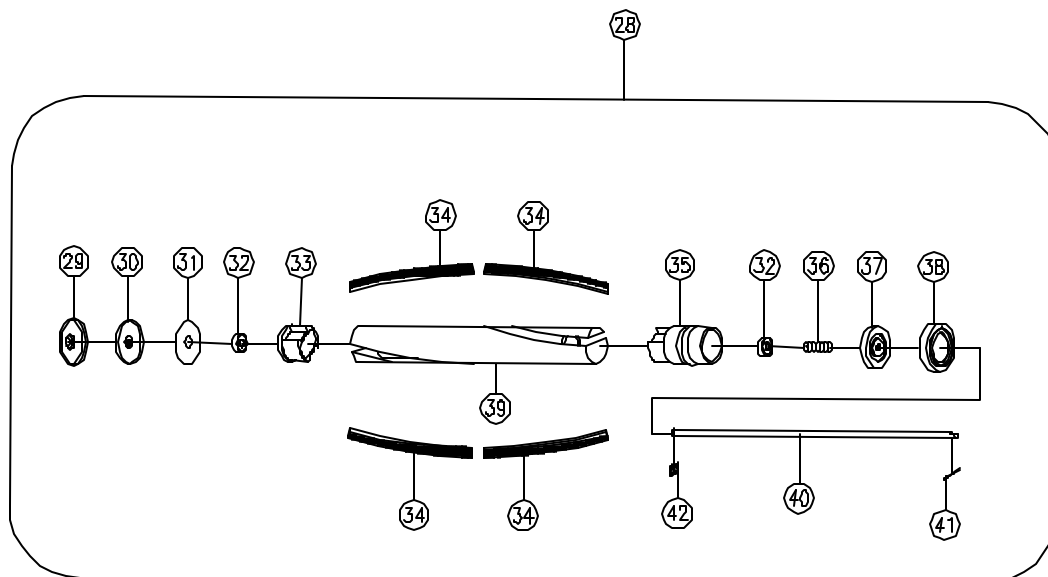
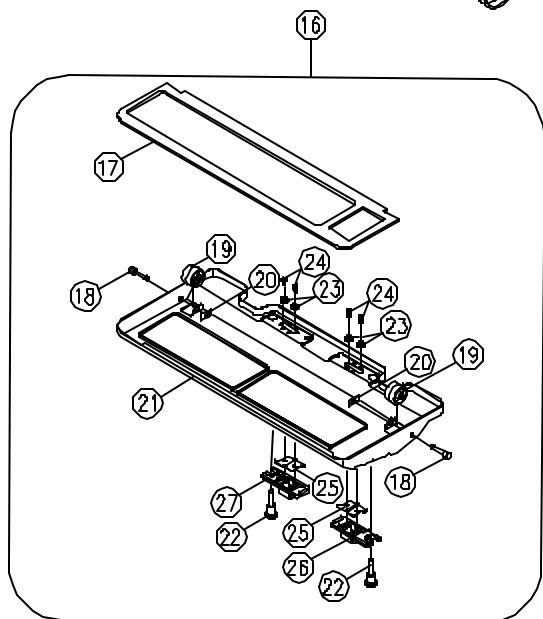
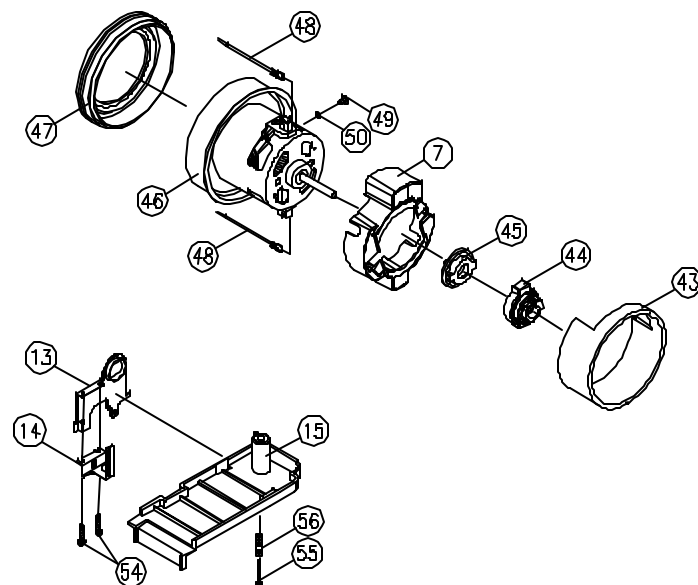
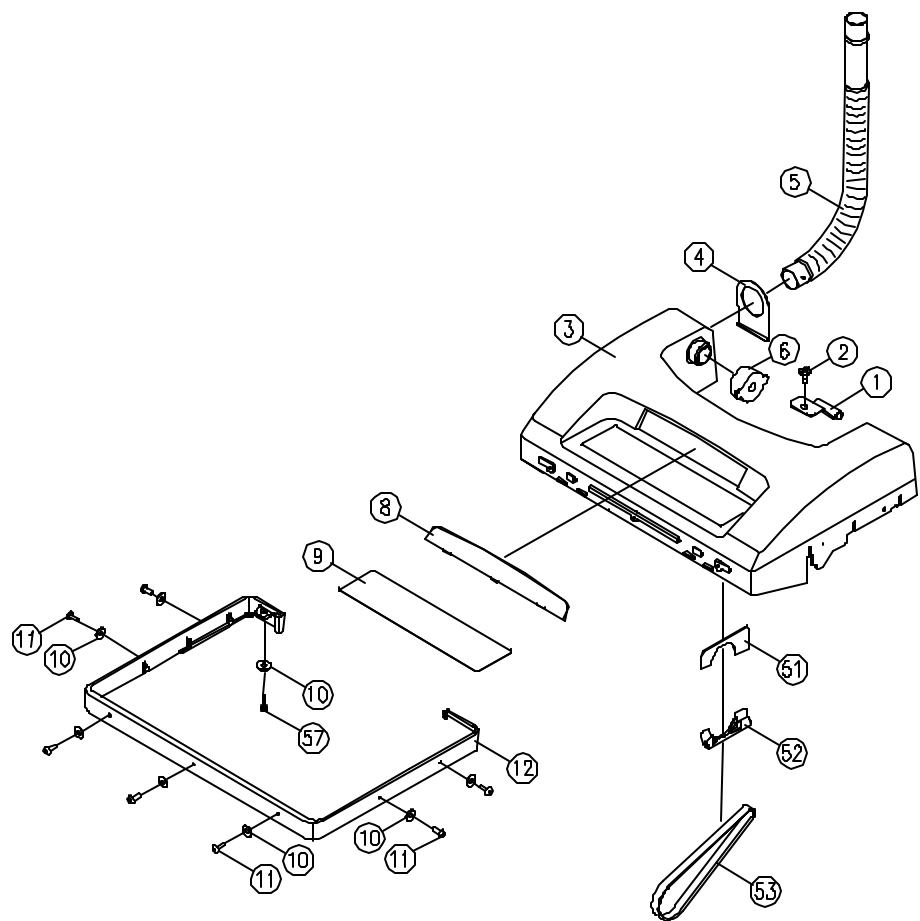
A



DRAWING A**CMPS-1N**

KEY	ITEM	DESCRIPTION	KEY	ITEM	DESCRIPTION
1	CM021001	Dust Compartment	28	A732-0300	Rear Axle Wheel Clip
2	B326-0114	Boot Strain Relief	29	54.135	Rear Wheel Axle
3	25.104	Main Switch	30	A732-8500	Clamp for Rear Axle
4	84.100	Internal Cord Strap	31	B224-3014B	Motor Lead Cord
5	A732-1100	Screw	32	84.109	Bushing for Motor Lead
6	84.102	Switch Cover	33	A732-0100	Zip Tie
7	A732-4500	Screw	34	B123-0100	Wire Connector
8	06.611	Secondary Filter	35	CM021007	Obt Tool Caddy(Not Shown)
9	84.103	Motor Cover Seal Kit	36	84.110	Screw
10	84.104	Dust Compartment Seal	37	A721-0200	Suction Inlet Gasket
11	CMPS-12	Paper Bag	38	A732-1200	Screw for Inlet Cover
12	CM021004	Dust Cover	39	B625-0105	Washer for Inlet Cover
13	24.700	Latch Spring	40	B625-0805	Inlet Cover Spring
14	84.105	Dust Cover Release Latch	41	54.007	Nobt Suction Inlet
15	84.106	Switch Cover Seal	42	B625-0914	Nobt Suction Inlet Cover
16	84.107	Motor Cord Holder Plate	43	B2110230	Nobt Red Bag Collar
17	84.108	Support Strap	44	84.110	Screw for Caddy
18	CM021005	Motor Cover	45	A732-1100	Screw for Handle Retainer
19	A732-8314	Screw	46	84.111	Internal Lower Cord Retainer
20	CMPS-PF	Exhaust Foam Filter Assembly	47	A430-0405	Washer
21	B333-0400B	Thermal Reset Switch	48	84.112	Hose Hanger/Carrying Handle
22	A732-0700	Screw	49	CM031000	Handle Assembly Complete
23	B333-0600	Thermal Switch Seal	50		Handle Tube (Only in Assembly)
24	CM021006	Rear Wheel & Axle Assembly	51	B431-2014	Foam Grip
25	54.136	Set Washer for Axle	52	G10	Handle Tube Cap
26	CM031003	Rear Wheel	53	B324-0400	Handle Retainer
27	A328-0100B	Rear Axle Wheel Washer	54	A232-0100	Handle Bolt
			55	CMPS-50C	Power Cord

B



DRAWING B**CMPS-1N**

KEY	ITEM	DESCRIPTION	KEY	ITEM	DESCRIPTION
1	53.088	Handle Release Spring	24	C012-0500E	Brushroll Assembly
2	CM031000	Screw for Handle Spring	25	B012-0214	Brushroll Rubber End Caps Left
3	CM011002	Nozzle Housing	26	B012-0700	Brushroll Left Metal Cap
4	A07	Hose Fitting	27	B012-0600	Brushroll Felt Washer
5	C44-E	Nozzle Hose Nobt	28	B012-1300	Brushroll Bearing
6	84.200	Pivot Sleeve Bushing	29	B012-0500	Brushroll Bearing Holder
7	CM011001	Lens Green	30	B012-2400E	Brush Insert Strips
8	CMP-MARK	Clean Max Top Mark	31	B012-0400	Brushroll Belt Pulley
9	CM011003	Rivet for Bumper	32	B624-0100	Brushroll Spacing Spring
10	CMPS-BMP	Furniture Guard Bumper	33	B012-0800	Brushroll Pulley Metal End Cap
11	CM011004	Pedal Frame CleanMax	34	B012-0114	Brushroll Pulley End Rubber Cap
12	B014-0500	Rear Belt Guard	35	B012-1000	Brushroll Shaft
13	CM011006	Swivel Belt Cover	36	A732-0400	Brushroll Spring Clip
14	CM011007	Base Plate Assembly	37	A732-0200	Brushroll E-Clip
15	CM031001	Base Plate Gasket	38	B123-1900	Foam Motor Sound Suppressor
16	B010-0500	Base Plate Wheel Axle	39	B123-1300	Metal Pivot Sleeve
17	B010-0913	Base Plate Wheel	40	CM031002	Front Rubber Motor Mount
18	A732-2100	Base Plate Wheel Push Nut	41	CM011010	Motor Assembly
19	CM011012	Base Plate Latch Stud Screw	42	CM031003	Rear Rubber Motor Mount
20	CM011011	Base Plate Latch Screw	43	CMPS-BB	Belt
21		Base Plate Latch Leaf Spring	44	CM031003	Screw for Pedal Frame
22	CM011008	Base Plate Latch Left	45	CM031004	Screw for Swivel Belt Cover
23	CM011009	Base Plate Latch Right	46	CM031005	Spring for Swivel Belt Cover