



IPC Integrated Professional Cleaning

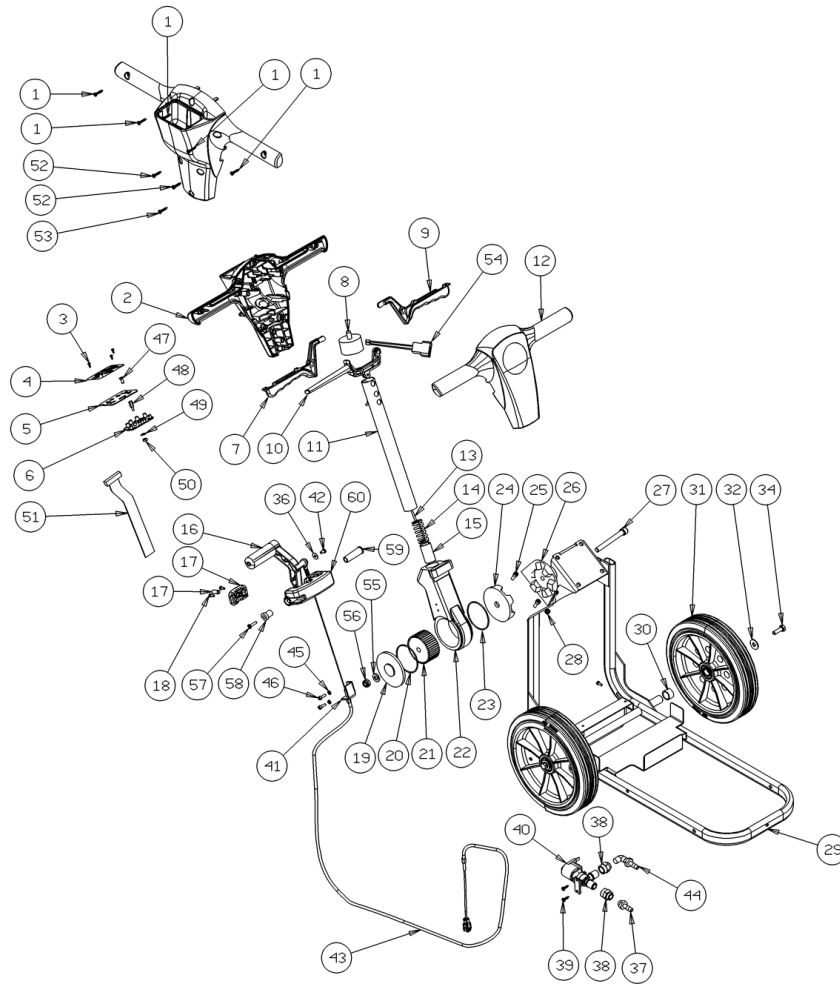
IPCGansow

Spare Parts List

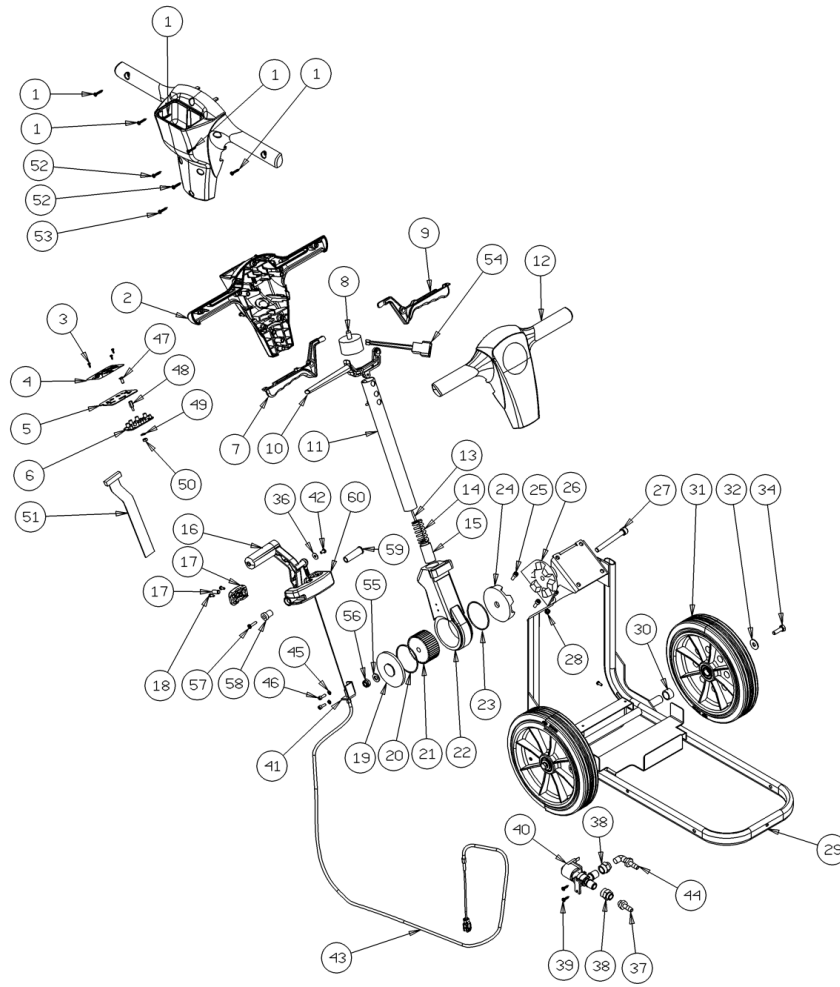
IPC EAGLE

Ref: LPTB02449

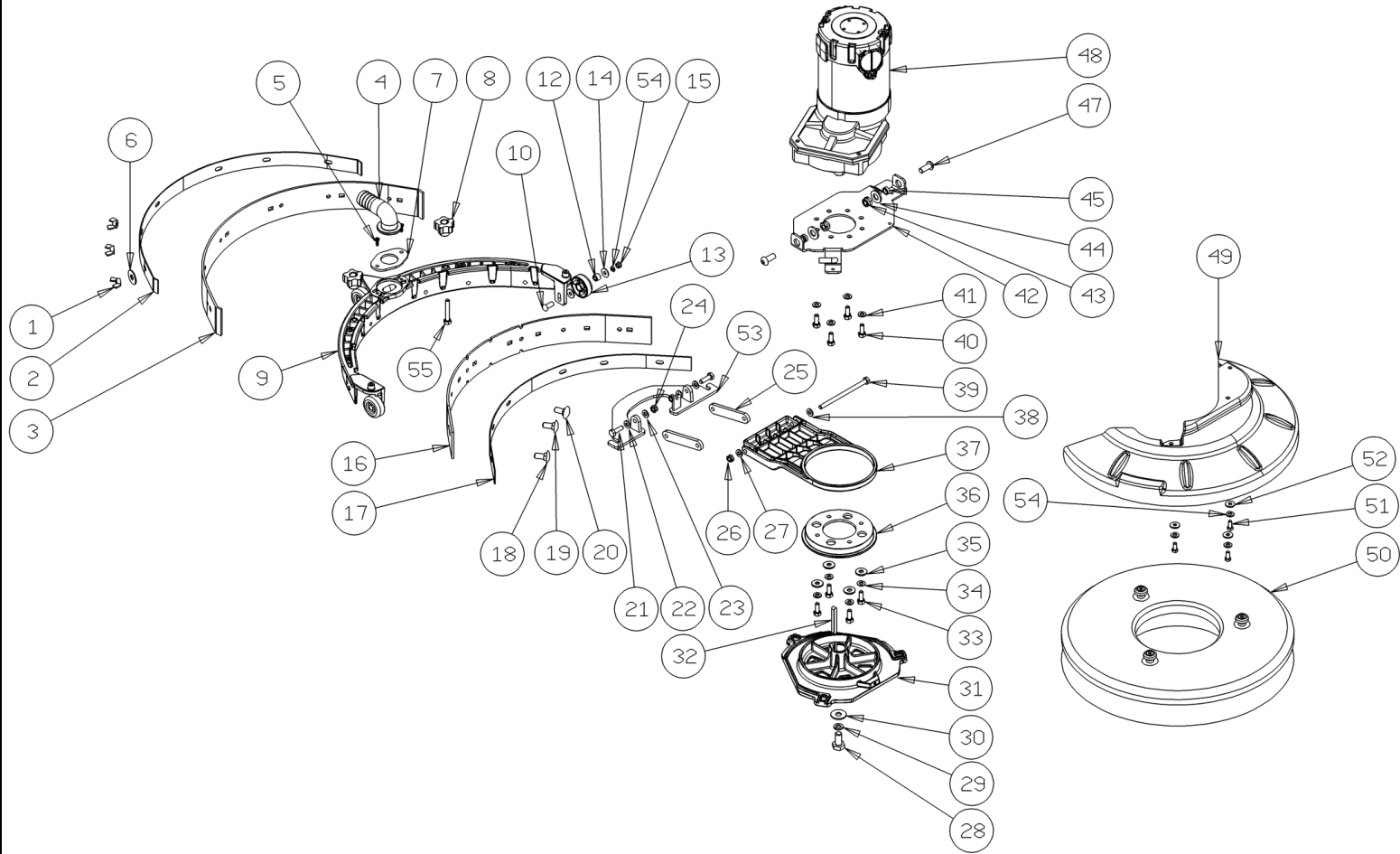
Model: CLEANTIME CT15 24V + BATTERIE JP/USA



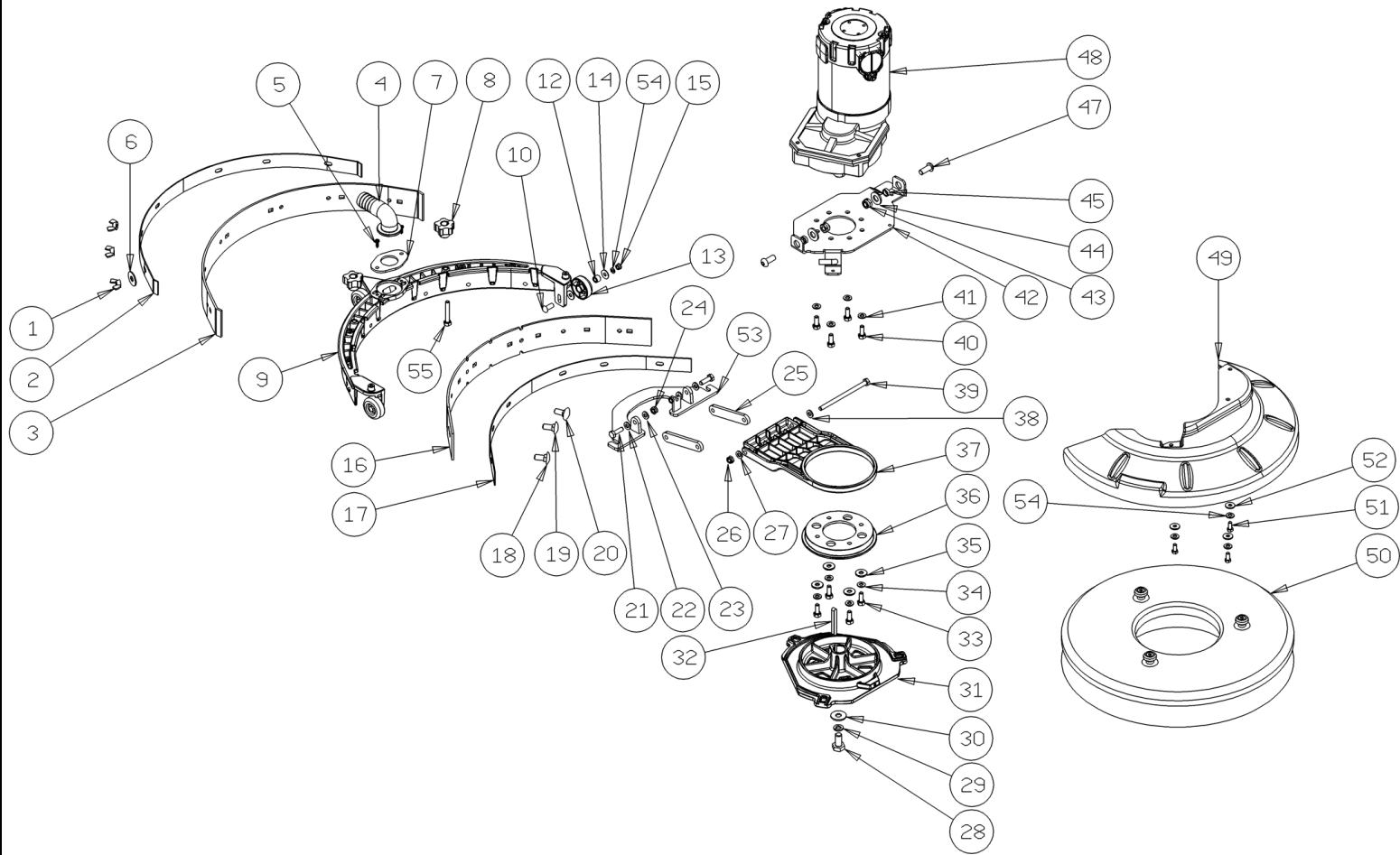
Ref.	K	Part N.	Customer Part N.	Description	Qty	Validity:		Price
						From	To	
0001		VTVT01371		SCREW 4,8X19	5,00			--
0002		MPVR05837		HANDLE -	1,00			--
0003		VTVT00800		SCREW TC 4X12 ZN	3,00			--
0004		ETET01667		LABEL -	1,00			--
0005		LAFN08891		BRACKET -	1,00			--
0006		MECE00528		BOARD CT15	1,00			--
0007		MPVR05490		LEVER -	1,00			--
0008		MERL00013		SWITCH -	1,00			--
0009		MPVR05490		LEVER -	1,00			--
0010		MPVR05488		LEVER -	1,00			--
0012		MPVR05486		CRANKCASE -	1,00			--
0013		LAFN07917		SUPPORT -	1,00			--
0014		MLML00319		SPRING -	1,00			--
0015		MTIG00126		GEAR	1,00			--
0016		MPVR49942		LEVER SHK PP	1,00			--
0017		MPVR05925		HOSE COLLAR CT15	1,00			--
0018		VTVT01375		SCREW 5X22	2,00			--
0019		LAFN07476		COVER -	1,00			--
0020		GUGO00437		O-RING -	1,00			--
0021		MTIG00125		GEAR	1,00			--
0022		LAFN07475		SUPPORT -	1,00			--
0023		GUGO00437		O-RING -	1,00			--
0024		LAFN07477		COVER -	1,00			--
0025		VTVT29810		SCREW TCEI M 8X20 UNI 5931	4,00			--
0026		LAFN07478		SUPPORT -	1,00			--
0027		VTVT01205		SCREW -	1,00			--
0028		VTDD00124		NUT M 8 BASSO	4,00			--
0029		LAFN08895		FRAME -	1,00			--
0030		LAFN08915		BUSHING -	2,00			--
0031		RTRT00537		WHEEL -	2,00			--
0032		VTRS00512		WASHER D. 8 X24 ZC.	2,00			--
0034		VTVT01110		SCREW TE 8X16 UNI5739	2,00			--
0036		VTRS00251		WASHER 4-16 INOX A2	1,00			--
0037		RCVR00004		CONNECTOR PORTAGOMMA 1/8" D.7	1,00			--
0038		RCDS00045		CONNECTOR -	1,00			--
0039		VTVT48694		SCREW TCB TC 5 X12 UNI 9707 TZ	2,00			--
0040		MEEV00037		SOLENOID VALVE	1,00			--
0041		LAFN08898		BRACKET -	1,00			--
0042		VTVT00800		SCREW TC 4X12 ZN	1,00			--



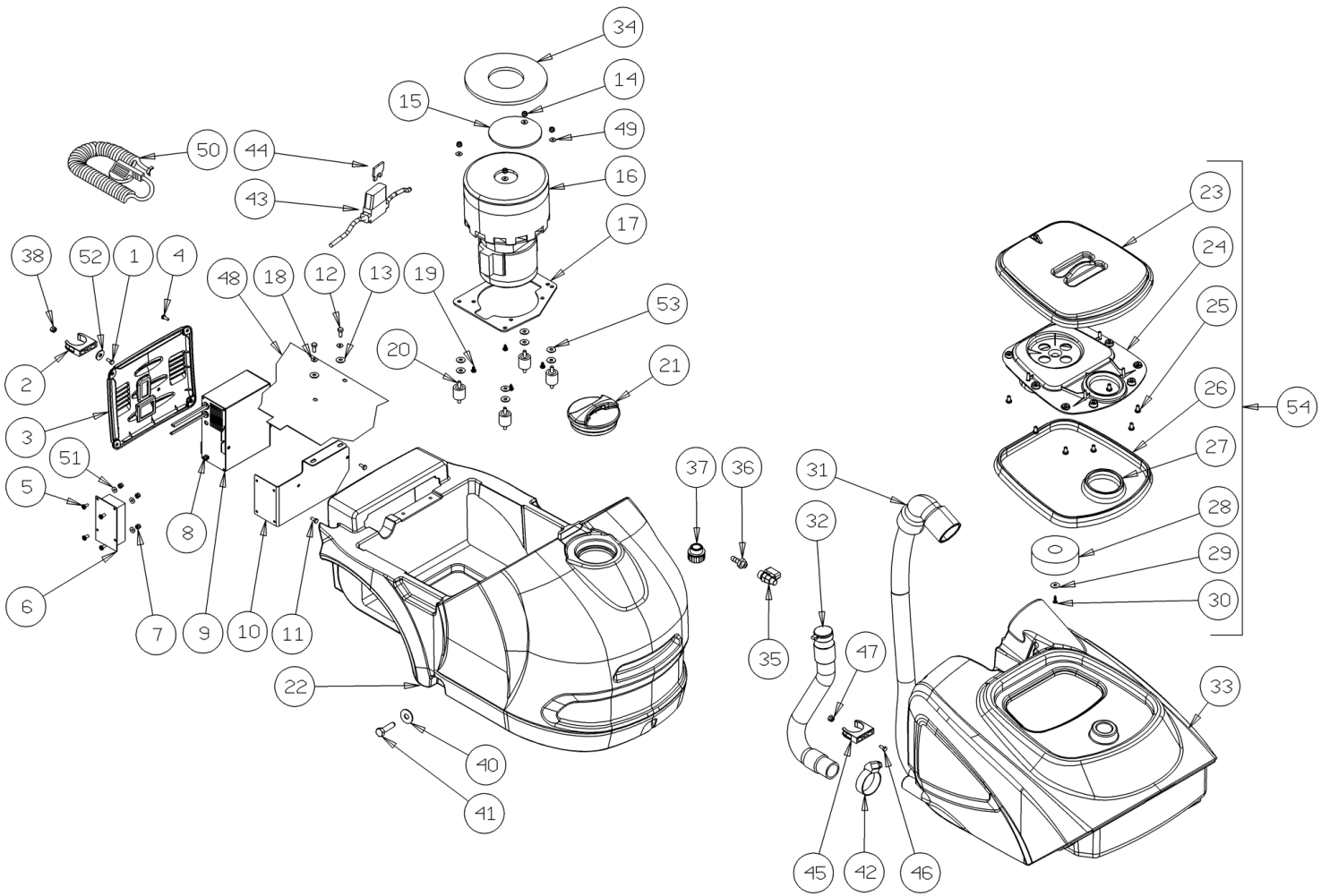
Ref. K	Part N.	Customer Part N.	Description	Qty	Validity:		Price
					From	To	
0043	CMCV00453		CABLE -	1,00			--
0044	RCVR00084		CONNECTOR A "L"	1,00			--
0045	VTRS08013		WASHER D. 5 GRW	2,00			--
0046	VTVT17639		SCREW TCEI M 5X10 UNI 5931	2,00			--
0047	VTVT01377		SCREW TSP-TC M 3X5 UNI7688 INX	4,00			--
0048	VTVR00481		INSERT FILETTATO M6	4,00			--
0049	VTRS00268		WASHER D.3	4,00			--
0050	VTDD21115		NUT M 3 INOX	4,00			--
0051	MECB01257		WIRING	1,00			--
0052	VTVT01372		SCREW 4,8X25	2,00			--
0053	VTVT01373		SCREW 4,8X38	1,00			--
0054	MECB01273		WIRING	1,00			--
0055	VTRS00505		WASHER D.10 TE UNI 6592	1,00			--
0056	VTDD00042		NUT AUT.M10 UNI7474	1,00			--
0057	VTVT01374		SCREW 5X40	1,00			--
0058	MPVR05928		BUSHING CT15	1,00			--
0059	MPVR05927		PIN CT15	1,00			--
0060	MPVR05926		SUPPORT CT15	1,00			--



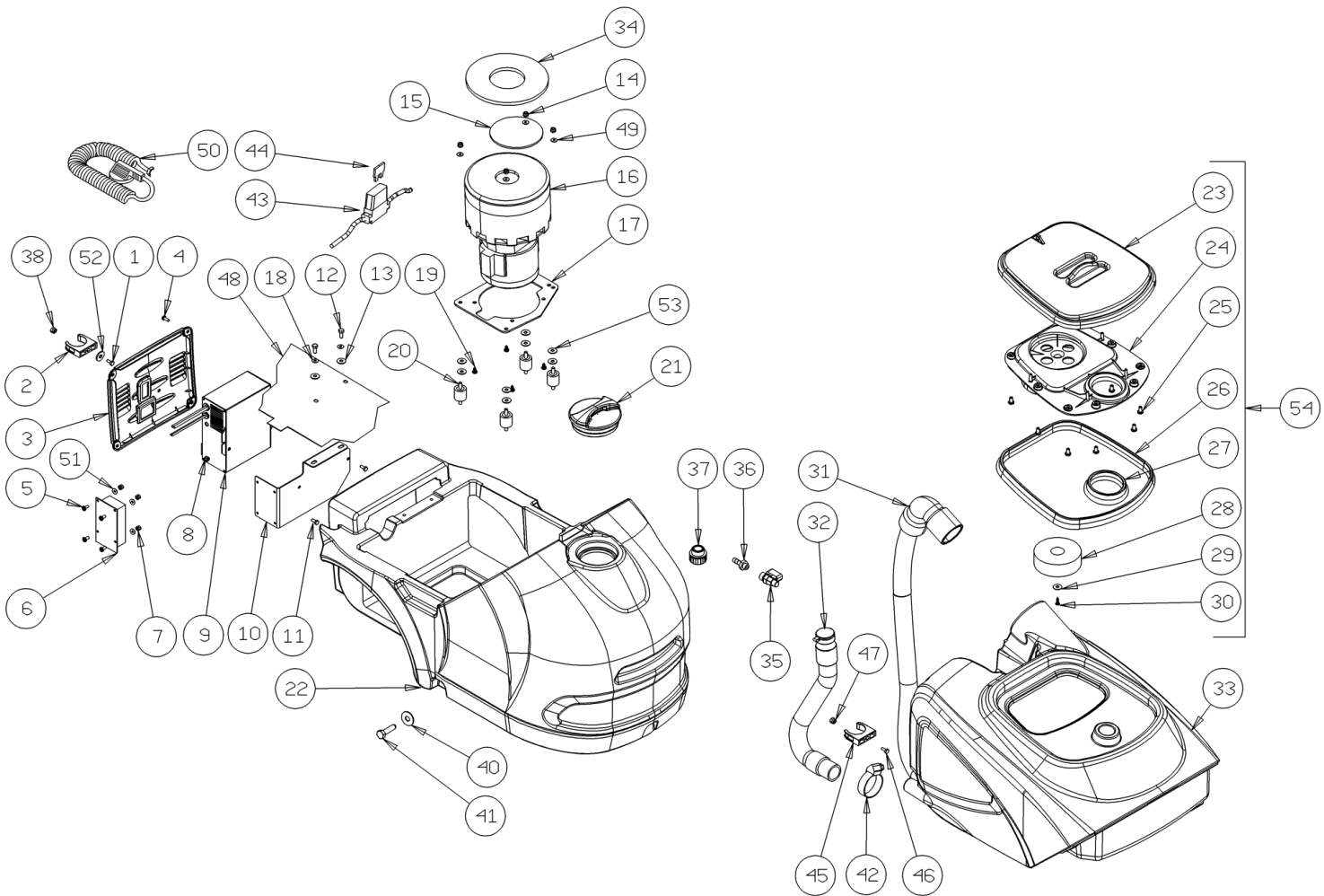
Ref. K	Part N.	Customer Part N.	Description	Qty	Validity: From To	Price
0001	VTDD00522		NUT M5	6,00		--
0002	LAFN08887		BRACKET -	1,00		--
0003	MPVR05918		BLADE -	1,00		--
0004	MPVR05831		CONNECTOR -	1,00		--
0005	VTVT48694		SCREW TCB TC 5 X12 UNI 9707 TZ	2,00		--
0006	VTRS13750		WASHER D. 5X14 INX	6,00		--
0007	LAFN08890		FLANGE -	1,00		--
0008	MPVR05842		SMALL KNOB -	2,00		--
0009	MPVR05835		BODY -	1,00		--
0010	VTVT01693		SCREW M5x20	3,00		--
0012	LAFN08913		BUSHING -	3,00		--
0013	MPVR05832		WHEEL -	3,00		--
0014	VTRS13750		WASHER D. 5X14 INX	6,00		--
0015	VTDD07727		NUT M 5 INOX	3,00		--
0016	MPVR05917		BLADE -	1,00		--
0017	LAFN08886		BRACKET -	1,00		--
0018	VTVT01690		SCREW M5x25	2,00		--
0019	VTVT01691		SCREW M5x35	2,00		--
0020	VTVT01691		SCREW M5x35	2,00		--
0021	VTVT13939		SCREW TE 6X20 UNI5739 INX	2,00		--
0022	VTRS00245		WASHER D.6 UNI 6592 INOX	2,00		--
0023	VTRS00245		WASHER D.6 UNI 6592 INOX	2,00		--
0024	VTDD01694		NUT M 6 INX	2,00		--
0025	LAFN08889		ARM -	2,00		--
0026	VTDD01694		NUT M 6 INX	1,00		--
0027	VTRS00245		WASHER D.6 UNI 6592 INOX	1,00		--
0028	VTVT13938		SCREW TE 8X20 UNI5739 INX	1,00		--
0029	VTRS15146		WASHER D. 8 INX GRW UNI 1751	1,00		--
0030	VTRS13946		WASHER D. 8 X24 INX UNI 6593	1,00		--
0031	MFVR00212		DRIVE DISK	1,00		--
0032	VTVR16617		KEY 6X 6X30 UNI 6604	1,00		--
0033	VTVT13939		SCREW TE 6X20 UNI5739 INX	4,00		--
0034	VTRS15144		WASHER D. 6 INX GRW UNI 1751	4,00		--
0035	VTRS13945		WASHER D. 6X18 INX UNI 6593	4,00		--
0036	MPVR05830		BRACKET -	1,00		--
0037	MPVR05829		SUPPORT -	1,00		--
0038	VTRS00245		WASHER D.6 UNI 6592 INOX	1,00		--
0039	VTVT01692		SCREW M6X125	1,00		--
0040	VTVT15906		SCREW TE 6X 12 A2 UNI 5739	4,00		--



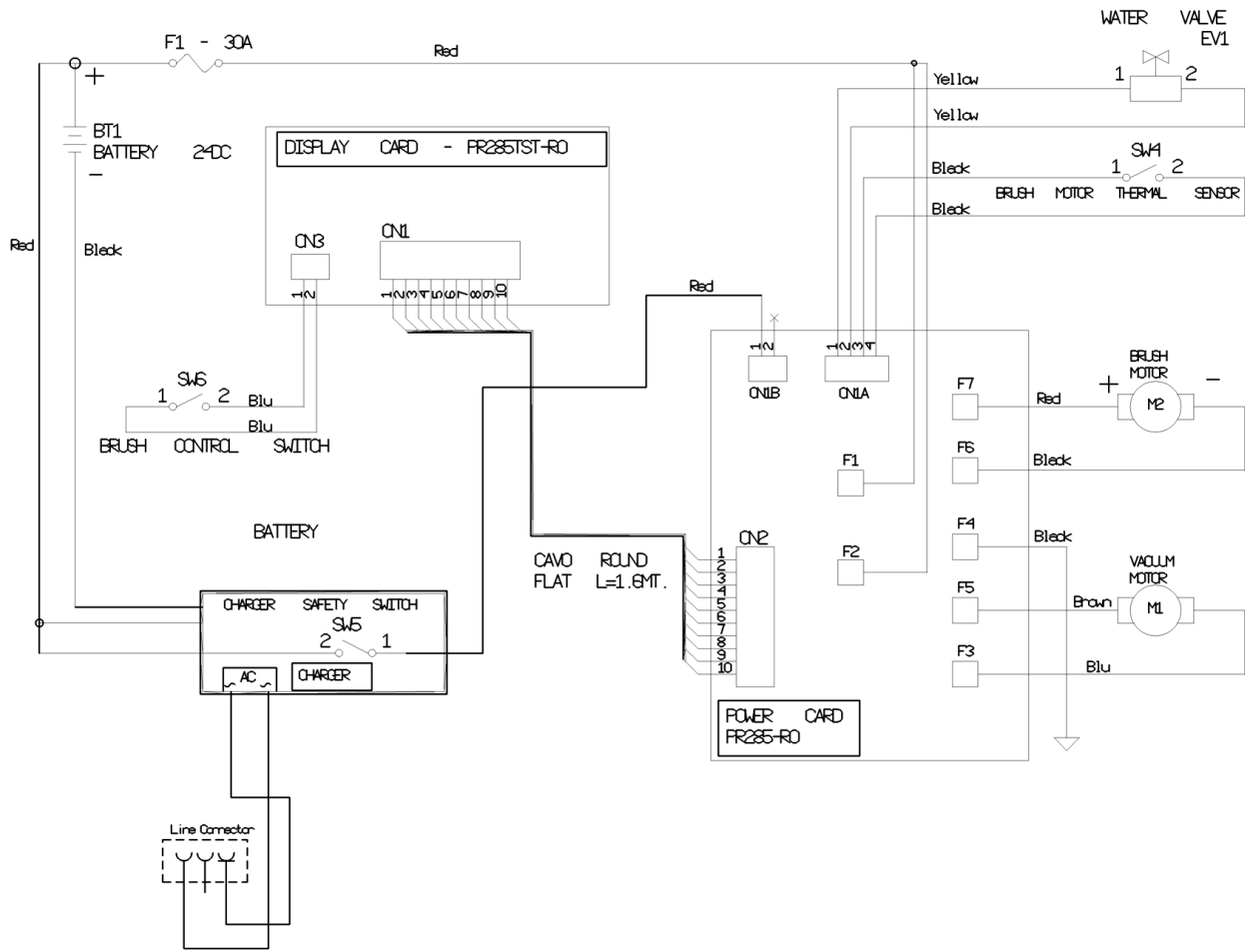
Ref. K	Part N.	Customer Part N.	Description	Qty	Validity:		Price
					From	To	
0041	VTRS15144		WASHER D. 6 INX GRW UNI 1751	4,00			--
0042	LAFN08896		PLATE -	1,00			--
0043	VTDD01695		NUT M 8 INX	2,00			--
0044	VTRS13947		WASHER D. 8 INX UNI 6592	2,00			--
0045	LAFN08916		BUSHING -	2,00			--
0047	VTVT13937		SCREW TE M 8X 30 INX UNI 5739	2,00			--
0048	MOCC00392		MOTOR 24V	1,00			--
0049	MPVR05827		COVER -	1,00			--
0050	SPPV01287		BRUSH -	1,00			--
0051	VTVT01300		SCREW TE M5X12 INOX	3,00			--
0052	VTRS13750		WASHER D. 5X14 INX	3,00			--
0053	LAFN08888		SUPPORT -	1,00			--
0054	VTRS15908		WASHER D. 5 INX GRW UNI 1751	3,00			--
0055	VTVT15515		SCREW TE M 6X 50 INOX A2	2,00			--



Ref. K	Part N.	Customer Part N.	Description	Qty	Validity:		Price
					From	To	
0001	VTVT29884		SCREW TE M 4X 16 UNI 5739	1,00			--
0002	MPVR05841		CLIP -	1,00			--
0003	MPVR05828		COVER -	1,00			--
0004	VTVT75733		SCREW TBEI M 5X 12 ISO 7380 ZB	4,00			--
0005	VTVT09841		SCREW TE M 4X 10 ZC. UNI 5739	4,00			--
0006	MECE00529		BOARD CT15	1,00			--
0007	VTDD04368		NUT M 4 ZIN UNI 5588	4,00			--
0008	VTDD04369		NUT M 4 TEF UNI 7473	2,00			--
0009	BACA00152		BATTERY-CHARGER-	1,00			--
0010	LAFN08893		PLATE -	1,00			--
0011	VTVT09841		SCREW TE M 4X 10 ZC. UNI 5739	2,00			--
0012	VTVT34115		SCREW TE M 5X 10 UNI 5739	2,00			--
0013	VTRS13750		WASHER D. 5X14 INX	2,00			--
0014	VTDD07727		NUT M 5 INOX	4,00			--
0015	LAFN05830		NET FERMA FILTRO INOX	1,00			--
0016	MOCC00397		MOTOR CT15	1,00			--
0017	LAFN08894		PLATE -	1,00			--
0018	VTRS08013		WASHER D. 5 GRW	2,00			--
0019	VTVT48694		SCREW TCB TC 5 X12 UNI 9707 TZ	4,00			--
0020	ABGO00052		VIBRATION DAMP.-	4,00			--
0021	MPVR05188		CAP -	1,00			--
0022	MPVR05824		TANK -	1,00			--
0023	MPVR05825		COVER -	1,00			--
0024	MPVR05826		COVER -	1,00			--
0025	VTVT01694		SCREW TCB TC 5 X10 UNI 9707 TZ	8,00			--
0026	GUVR00288		GASKET N052 S1007	1,00			--
0027	GUVR00288		GASKET N052 S1007	1,00			--
0028	MPVR05836		FLOATER -	1,00			--
0029	VTRS00573		WASHER 30x6x3	1,00			--
0030	VTVT48694		SCREW TCB TC 5 X12 UNI 9707 TZ	1,00			--
0031	TBFX00345		TUBE CT15	1,00			--
0032	TBFX00346		TUBE CT15	1,00			--
0033	MPVR05823		TANK -	1,00			--
0034	GUGO00444		GASKET -	1,00			--
0035	RCGR00008		VALVE A SFERA MF 1/8"	1,00			--
0036	RCVR00004		CONNECTOR PORTAGOMMA 1/8" D.7	1,00			--
0037	MPVR08003		CAP -	1,00			--
0038	VTDD04369		NUT M 4 TEF UNI 7473	1,00			--
0040	VTRS13750		WASHER D. 5X14 INX	3,00			--



Ref. K	Part N.	Customer Part N.	Description	Qty	Validity:		Price
					From	To	
0041	VTVT01376		SCREW TE M 5X 35 UNI 5739	3,00			--
0042	FSVR00002		CLAMP EKOFLEX 9 23-35	1,00			--
0043	MECB01272		WIRING	1,00			--
0044	MEVR01136		FUSE 30A	1,00			--
0045	MPVR05841		CLIP -	1,00			--
0046	VTVT00727		SCREW TE M. 4-20	1,00			--
0047	VTDD04369		NUT M 4 TEF UNI 7473	1,00			--
0048	MPVR05907		PROTECTION	1,00			--
0049	VTRS15908		WASHER D. 5 INX GRW UNI 1751	4,00			--
0050	MECB00923		EXTENSION AWG18 SPINA USA	1,00			--
0051	VTRS00377		WASHER M4	4,00			--
0052	VTRS05904		WASHER D. 4 X16 2.083	1,00			--
0053	VTRS13750		WASHER D. 5X14 INX	8,00			--
0054	KTRI01989		KIT RECOVERY LID	1,00			--



Ref.	K	Part N.	Customer Part N.	Description	Qty	Validity:		Price
						From	To	
EV1		MEEV00037		SOLENOID VALVE	1,00			--
M1		MOCC00397		MOTOR CT15	1,00			--
M2		MOCC00392		MOTOR 24V	1,00			--