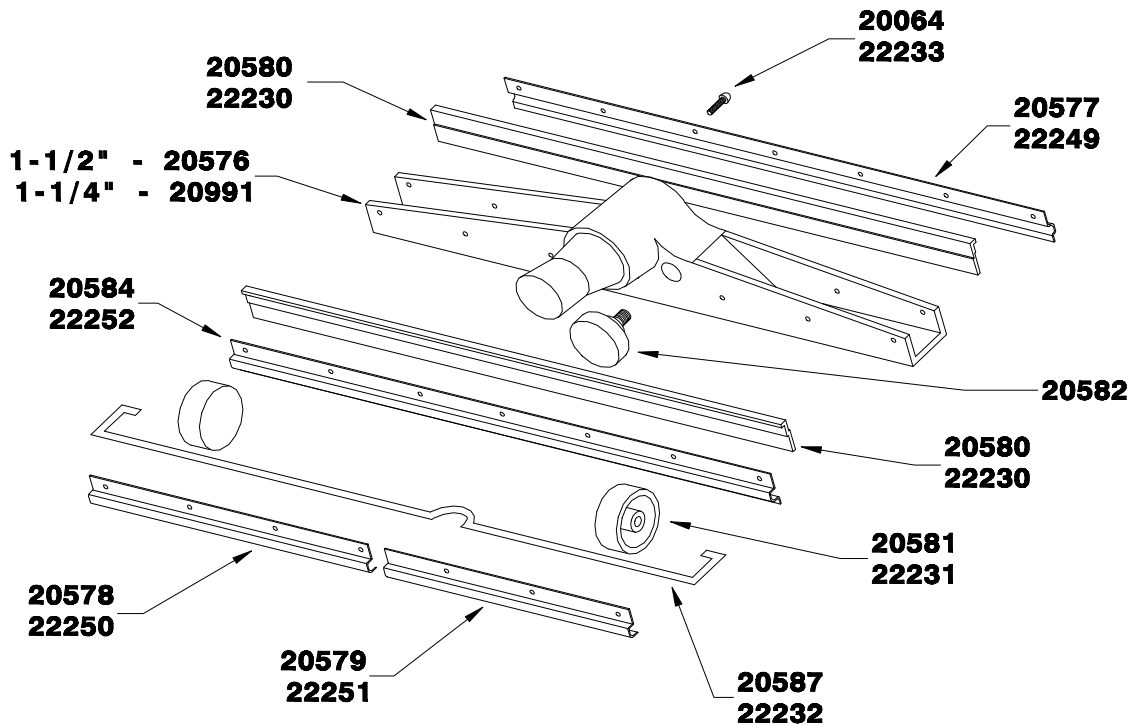


1 1/4 - 28732
1 1/2 - 28729

UNIVERSAL FLOOR TOOL OUTIL UNIVERSEL



ITEM	DESCRIPTION	QTY REQ
20064	SCREW # 8 X 3/16 LONG	14
22233	SCREW # 8 X 3/16 LONG (70 PGK)	
20577	UFT CLAMP BAR FRONT	1
22249	UFT CLAMP BAR FRONT (5 PGK)	
20578	UFT AXLE CLAMP BAR LEFT	1
22250	UFT AXLE CLAMP BAR LEFT (5 PGK)	
20579	UFT AXLE CLAMP BAR RIGHT	1
22251	UFT AXLE CLAMP BAR RIGHT (5 PGK)	
20580	UFT SQUEEGEE BLADE	2
22230	UFT SQUEEGEE BLADE (10 PGK)	
20581	UFT WHEEL	2
22231	UFT WHEEL (10 PGK)	
20582	UFT ADJUSTMENT SCREW	1
20584	UFT CLAMP BAR REAR	1
22252	UFT CLAMP BAR REAR (5 PGK)	
20587	UFT WHEEL SHAFT	1
22232	UFT WHEEL SHAFT (5 PGK)	