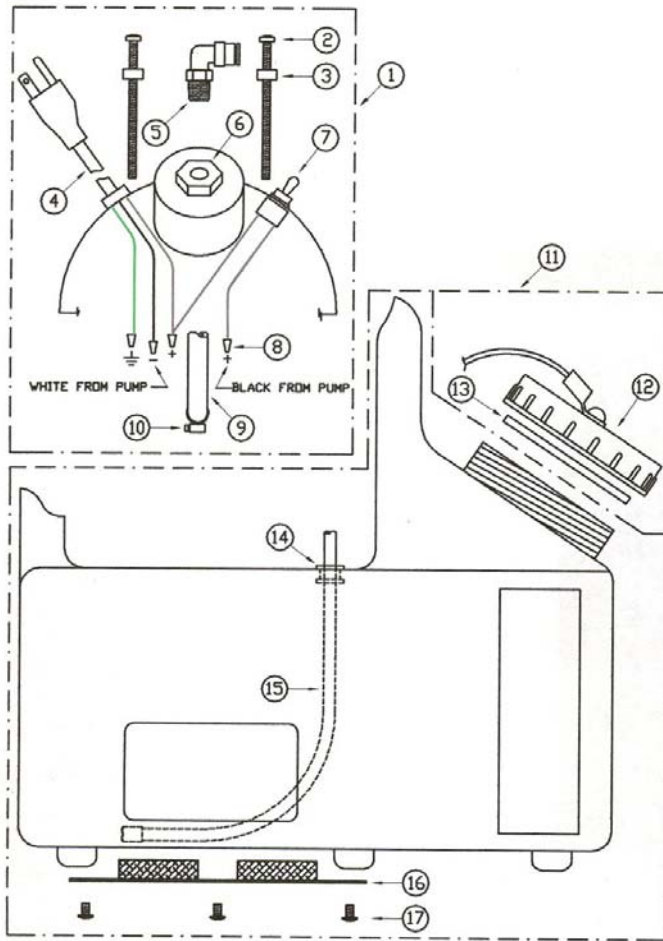
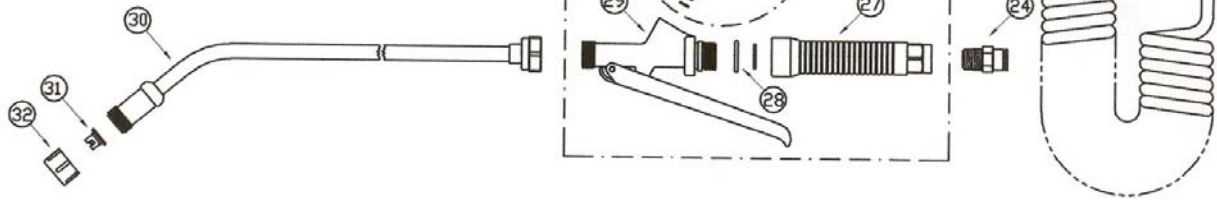
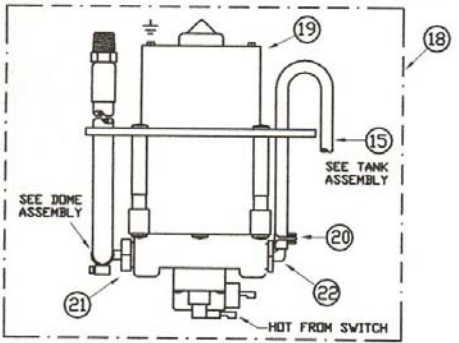


# Sprayer 1000-E, 110v



**Helpful Repair Tips:**

1. Attach hose to dome & fitting.
2. Do all wiring.
3. Feed #9 tube through plate.
4. Attach hose to fitting & install worm clamp.



# Sprayer 1000-E, 110v

ITEM	NUMBER	DESCRIPTION	QUANTITY
1	29108035	DOME ASSEMBLY (COMPLETE)	1
2	29108121	SCREWS	4
3	29108123	SPACERS	4
4	29108150	ELECTRIC CORD	1
5	22071650	QUICK CONNECT SWIVEL FITTING	1
6	29108777	UNION	1
7	29108135	ON/OFF SWITCH	1
8	29108160	WIRE NUTS	4
9	22030112	HOSE	1
10	33000467	WORM CLAMP	1
11	29108036	TANK ASSEMBLY	1
12	29108248	FOGGER CAP	1
13	29108249	CAP GASKET	1
14	29108156	GROMMET	1
15	29108179	SUPPLY TUBE ASSEMBLY	1
16	29108105	MOTOR GUARD	1
17	29108110	SCREWS	4
18	29108027	PUMP ASSEMBLY	1
19	95124615	PUMP	1
20	22071433	SPRING CLAMP	1
21	29108778	ELBOW	1
22	29108779	ELBOW	1
23a	22071659	25' COILED HOSE	1
23b	22071657	40' COILED HOSE	1
24	22071658	QUICK CONNECT STRAIGHT FITTING	1
25	22037500	SHUTOFF ASSEMBLY (COMPLETE)	1
26	42037510	XR VALVE REBUILD KIT	1
27	42037503	PLASTIC HANDLE ASSEMBLY	1
28	22037508	O Ring, (VITON)	1
29	22037501	BRASS SHUT-OFF ASSEMBLY	1
30	42045600	18" CURVED BRASS EXTENSION	1
31	42032149	CELCON FAN TIP	1
32	42033101	TIP CAP, POLYPROPYLENE	1